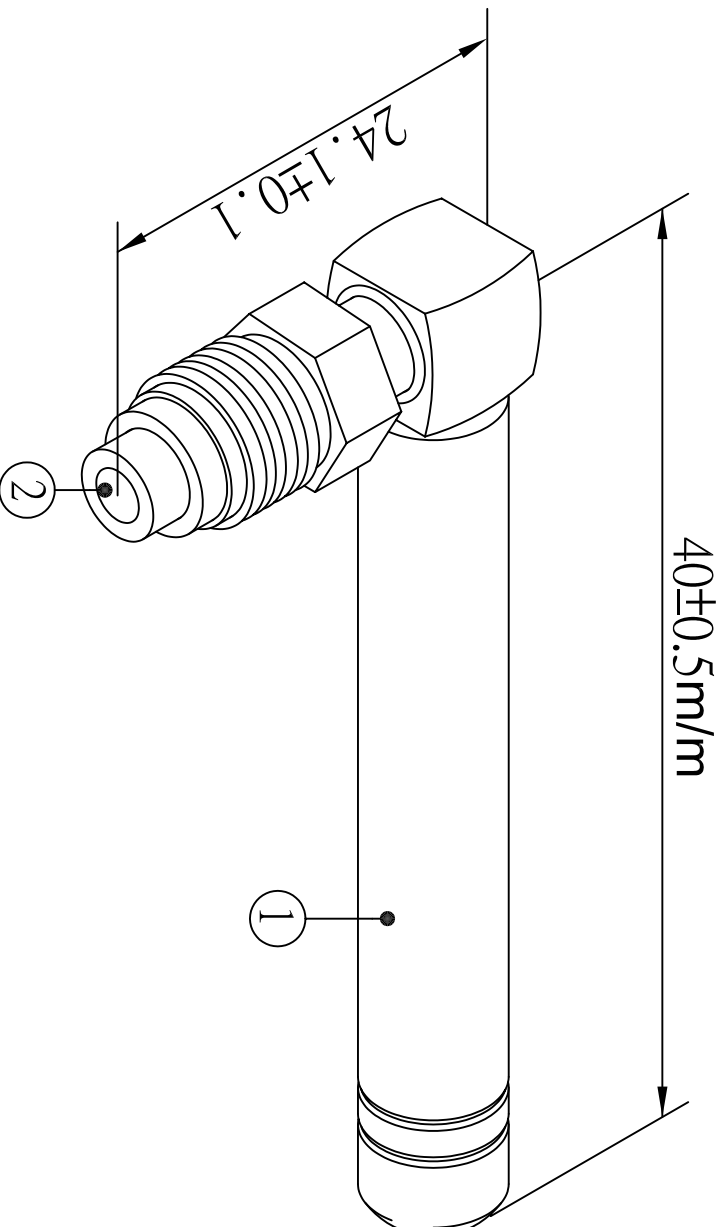


ADA-0088-FME/FM90°
 FREQUENCY:870~960MHZ/1710~1880MHZ
 GAIN:1db

NO.	圖名	材質	外觀	用量
01	焊套	PVC	黑色	01
02	FME 90° (母頭母針)	銅	鍍鎳	01



01																			
NO.	Dater	Revision	Reviser	Version	A NO.	Insp Spec	Test Instrument	B NO.	Insp Spec	Test Instrument									
					ADA-0088-FME/FM90°														
Third angle projection		900MHZ / 1800MHZ		CORPORATION		CUSTOMER'S		Parts number		Unit		Scale		Weight		Version			
ADACTUS		tolerance		Name		Parts number		Approved		Checked		Drawing		Designed					
surface roughness		.X±0.1		外觀圖		SGSMEA-261													

