
INTRODUCTION

1. GENERAL DESCRIPTION

Model No
SGSM007Q-FME/F-S/T

Below is a table summarizing the antenna design specification.

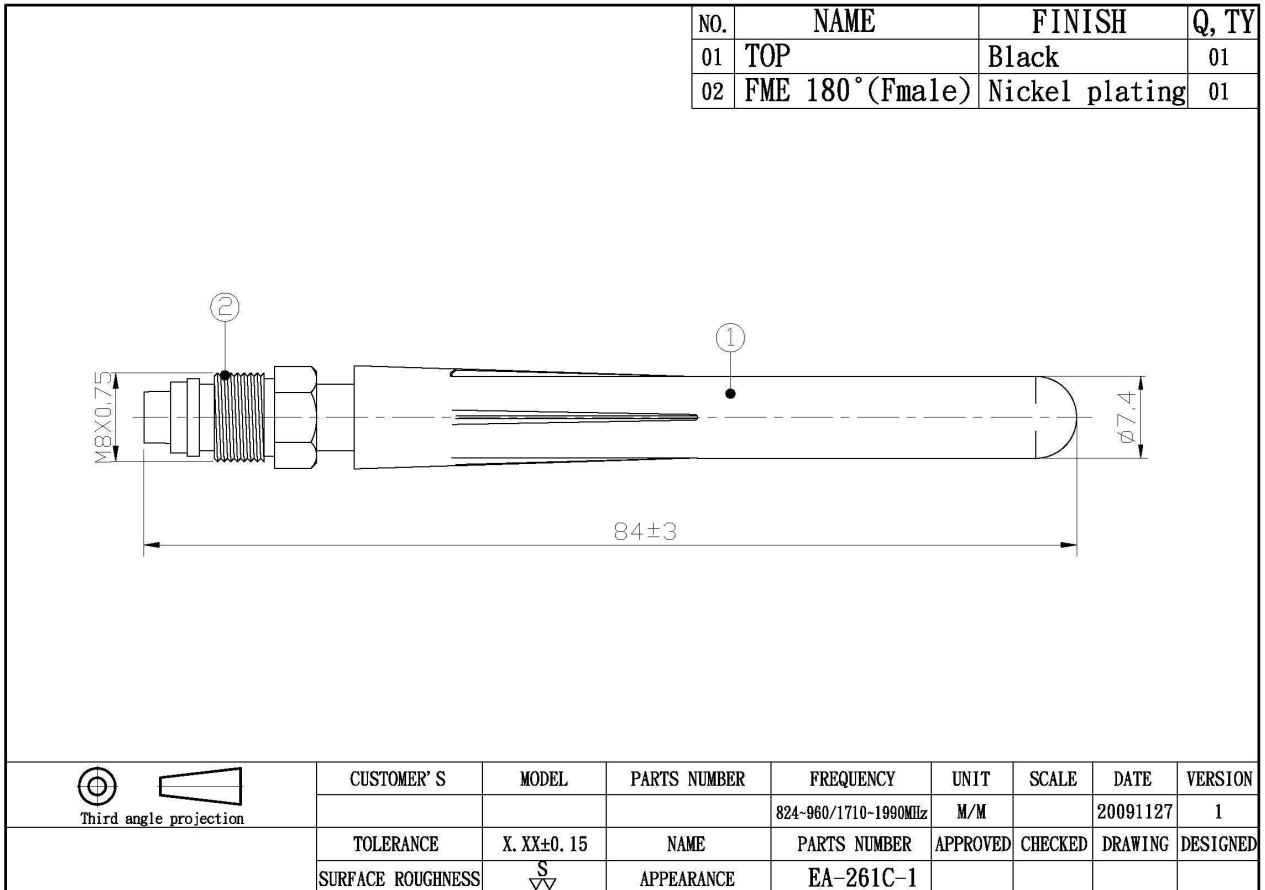
1.1 Electrical Properties

Parameter	Description
Frequency Band	850/900/1800/1900MHz
Nominal Impedance	50 ohm
Polarization	Vertical
Return Loss	Please See Data-1
V.S.W.R	3.0 : 1
Note: Gain includes the cable loss	

1.2 Mechanical Properties

Parameter	Description
Antenna Type	External Antenna
Touch Type	Screw Type
Connector Type	FME 180°(Fmale)
Antenna Dimensions	84mm ±3
Antenna Color	Black
Operating Temperature Range	-20°C~+60°C
Storage Temperature Range	-30°C~+70°C

2. Appearance



3. Return Loss, V.S.W.R. and Smith Chart

