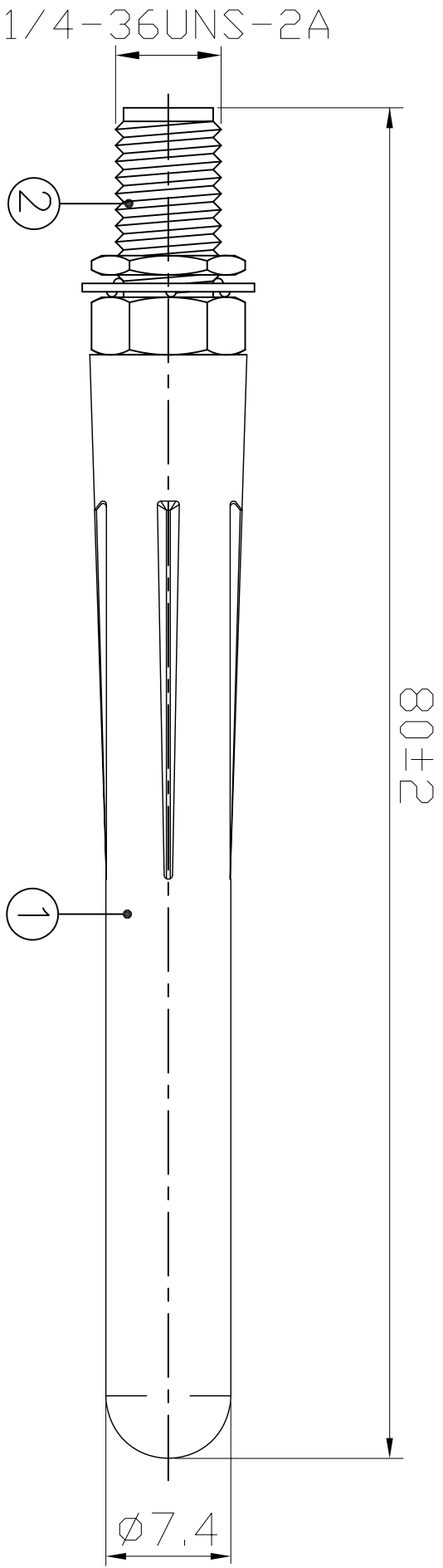
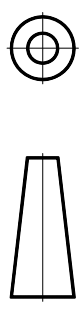


| NO. | NAME | FINISH | Q, TY |
|-----|-------------------|----------------|-------|
| 01 | Core tube | Black | 01 |
| 02 | SMA 180° (Female) | Golden plating | 01 |



| CUSTOMER'S | MODEL | PARTS NUMBER | FREQUENCY | UNIT | SCALE | DATE | VERSION |
|-------------------|------------|--------------|---------------------------|----------|---------|----------|----------|
| | | | 850/900/1800/1900/2100MHz | M/M | | 20120202 | 1 |
| TOLERANCE | X.XX+0.15 | NAME | PARTS NUMBER | APPROVED | CHECKED | DRAWING | DESIGNED |
| SURFACE ROUGHNESS | \sqrt{S} | APPEARANCE | ADA-0087QU-1 | | | | |



Third angle projection