

PROFESSOR TECHNOLOGY CO.,LTD.

INTRODUCTION

1. GENERAL DESCRIPTION

Model No
SGSM007Q-SMA/M-S/T

Below is a table summarizing the antenna design specification.

1.1 Electrical Properties

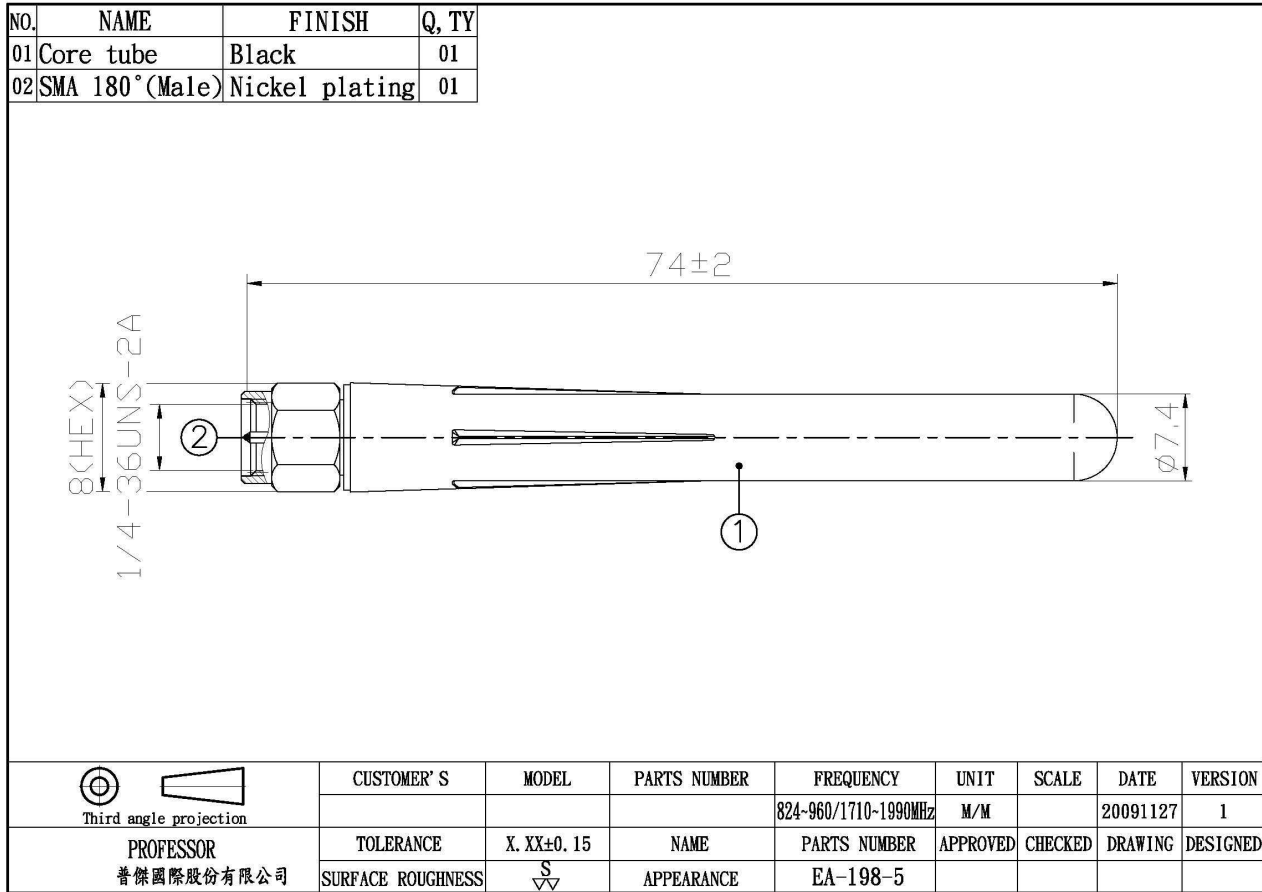
Parameter	Description
Frequency Band	850/900/1800/190MHz
Nominal Impedance	50 ohm
Polarization	Vertical
Return Loss	Please See Data-1
V.S.W.R	2.0 : 1
Note: Gain includes the cable loss 1.5~2dbi	

1.2 Mechanical Properties

Parameter	Description
Antenna Type	External Antenna
Touch Type	Screw Type
Connector Type	SMA 180°(Male)
Antenna Dimensions	74mm ±2
Antenna Color	Black
Operating Temperature Range	-20°C~+60°C
Storage Temperature Range	-30°C~+70°C

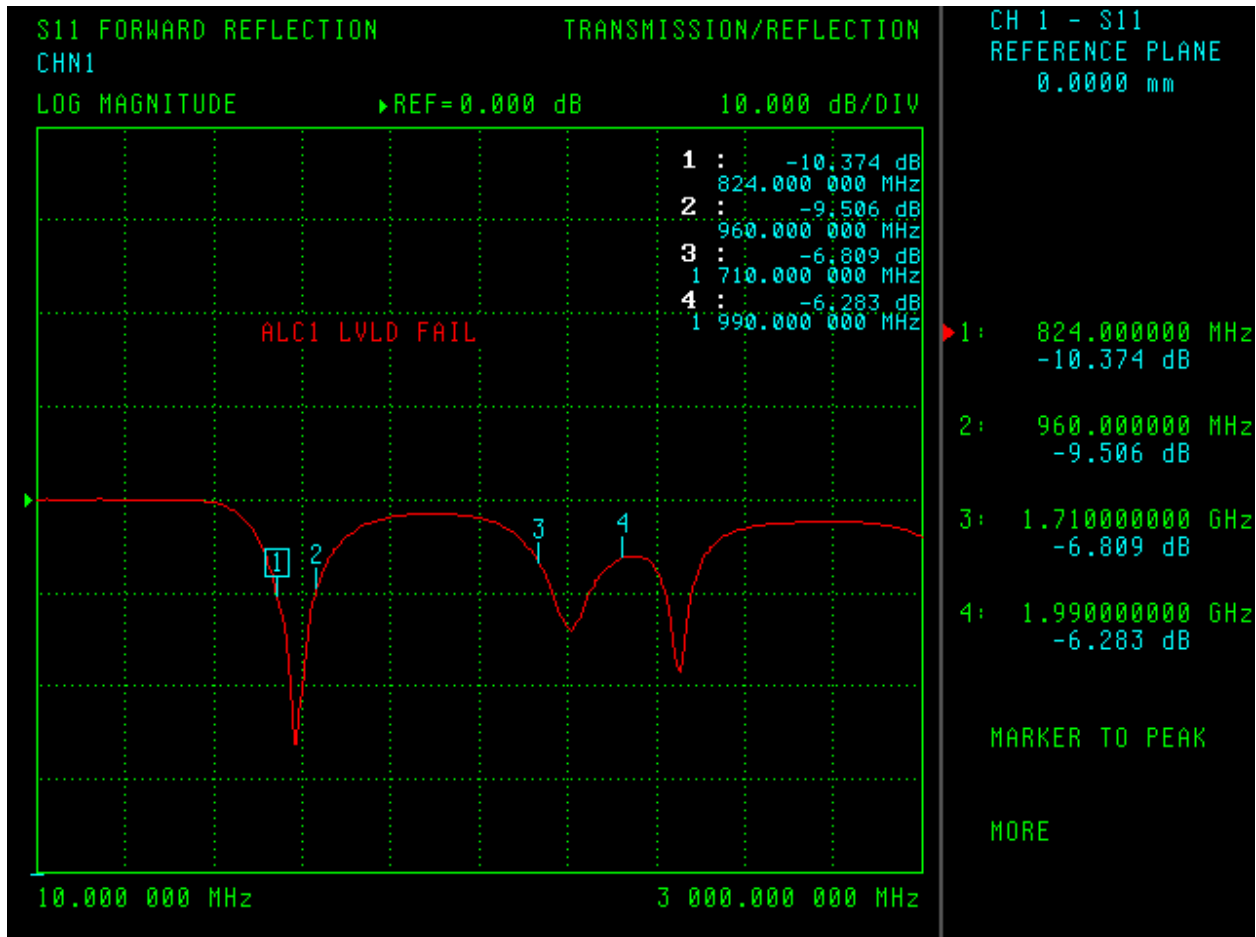
PROFESSOR TECHNOLOGY CO.,LTD.

2. Appearance

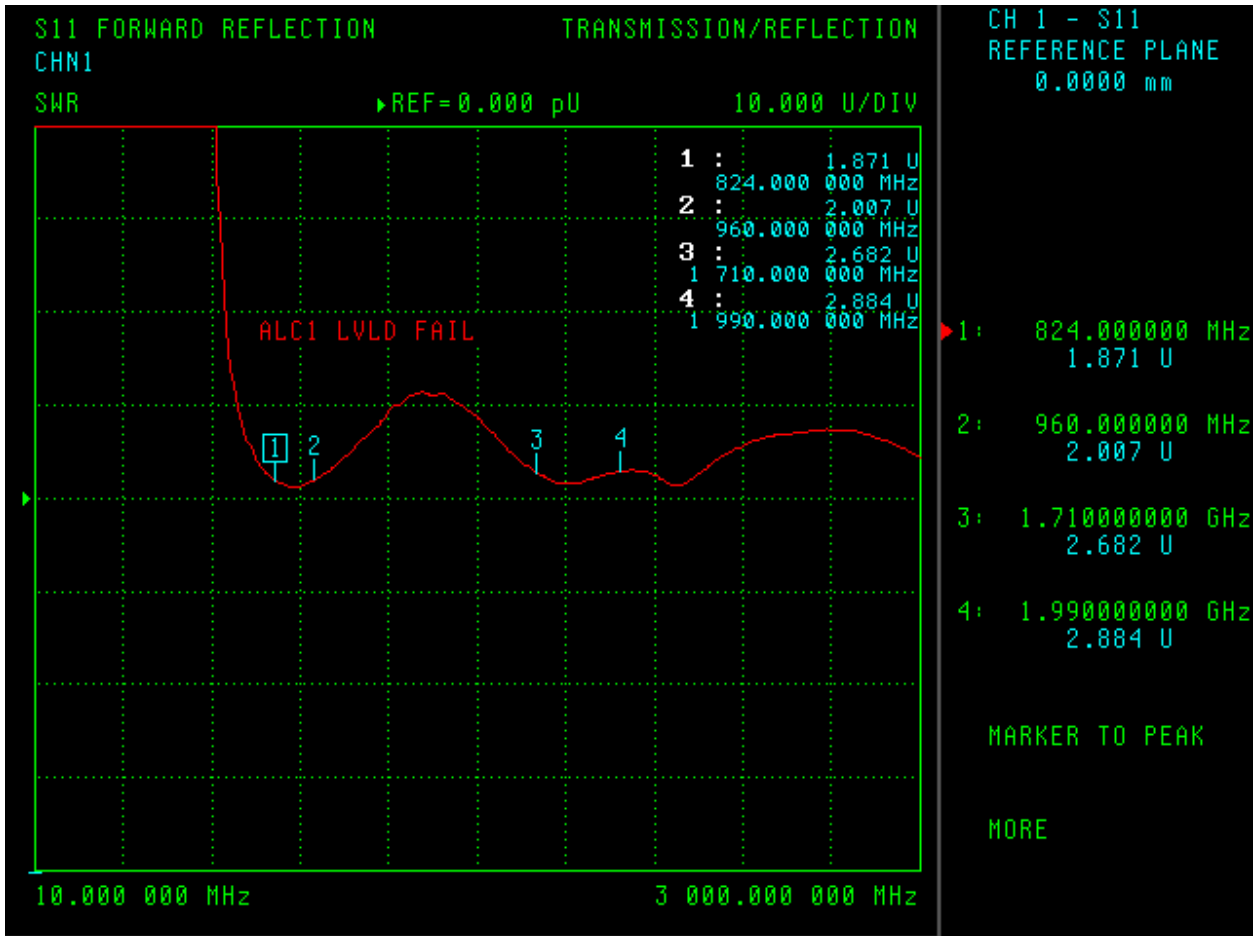


PROFESSOR TECHNOLOGY CO.,LTD.

3. Return Loss, V.S.W.R. and Smith Chart



PROFESSOR TECHNOLOGY CO.,LTD.



PROFESSOR TECHNOLOGY CO.,LTD.

