

PROFESSOR TECHNOLOGY CO.,LTD.

INTRODUCTION **Wifi Bluetooth Zigbee Antenna** **WLAN-010-SMA/M-Reverse**

This document provides a Sleeve Dipole Antenna design; this simulation is for wireless LAN.

1. GENERAL DESCRIPTION

Model No	Products P/N
WLAN-010-SMA/M-Reverse	WL-79B-1

Below is a table summarizing the antenna design specification.

1.2 Electrical Properties

Parameter	Description
Frequency Band	2.4~2.5 GHz
Nominal Impedance	50 ohm
Polarization	Vertical
Electrical Wave	1 / 2 λ Dipole
Return Loss	Please See Data-1
V.S.W.R	1.5:1
Antenna Average Gain	2 dBi
Note: Gain includes the cable loss	

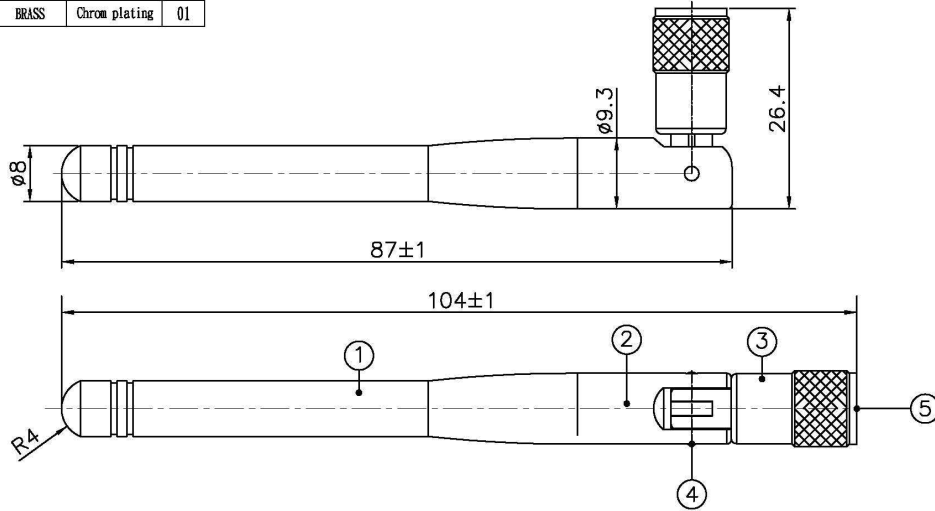
1.2 Mechanical Properties

Parameter	Description
Antenna Type	External Antenna
Antenna Material	ABS+TPE
Touch Type	Screw Type
Connector Type	SMA/M Reverse R/A
Antenna Dimensions	104 mm \pm 3
Antenna Color	Black
Operating Temperature Range	-30°C~+60°C
Storage Temperature Range	-40°C~+70°C

PROFESSOR TECHNOLOGY CO.,LTD.

2. Appearance

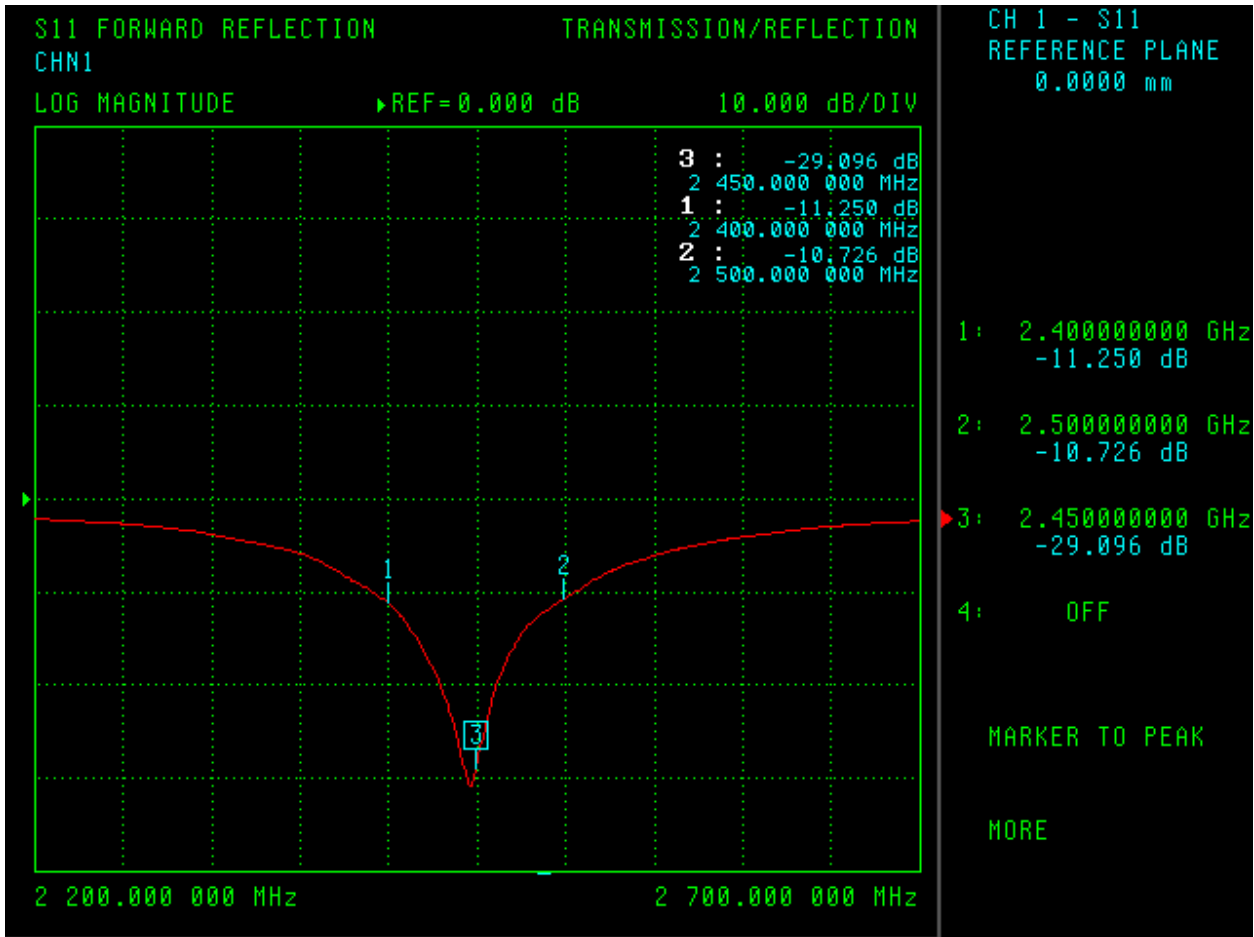
NO.	NAME	MATERIAL	FINISH	Q. TY
01	Core tube	TPE	Black	01
02	Fixed upper	ABS	Black	01
03	Fixed beneath	ABS	Black	01
04	RIVET	BRASS	Chrom plating	02
05	SMA Connector(Male)	BRASS	Chrom plating	01



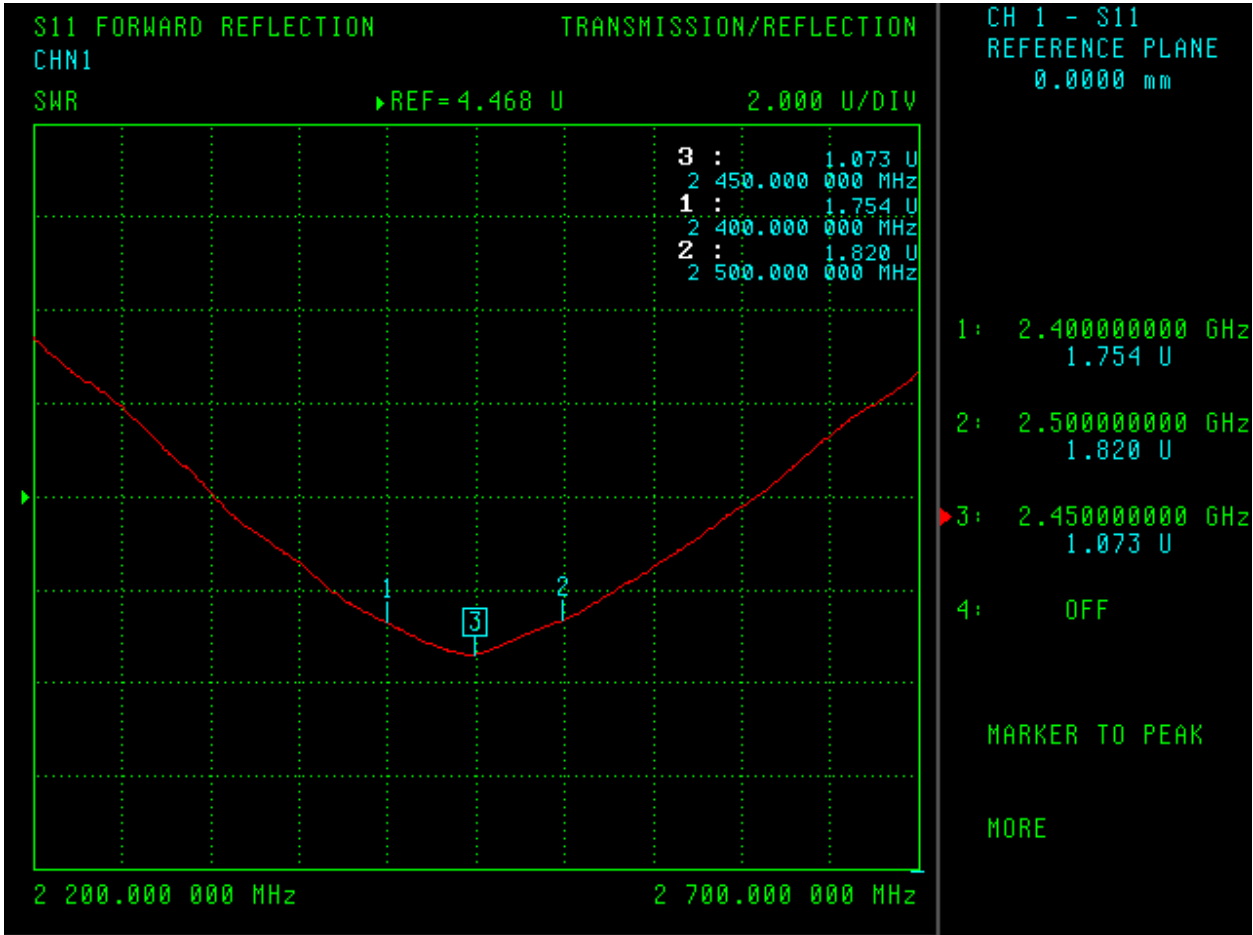
NO	INSP	SPEC	TEST INSTRUMENT	NO	INSP	SPEC	TEST INSTRUMENT	NO	INSP	SPEC	TEST INSTRUMENT	NO	DATE	DESCRIPTION	REVISER	VERSION
A				C				E				01				
B				D				F				02				
 Third angle projection			CUSTOMER'S	MODEL	PARTS NUMBER	FREQUENCY	UNIT	SCALE	DATE	VERSION						
 TOLERANCE			X. XX±0.15	NAME	PARTS NUMBER	APPROVED	CHECKED	DRAWING	DESIGNED							
 SURFACE ROUGHNESS			$\frac{S}{\sqrt{V}}$	APPEARANCE												

Third angle projection
PROFESSOR
 普傑國際股份有限公司

PROFESSOR TECHNOLOGY CO.,LTD.



PROFESSOR TECHNOLOGY CO.,LTD.



PROFESSOR TECHNOLOGY CO.,LTD.

