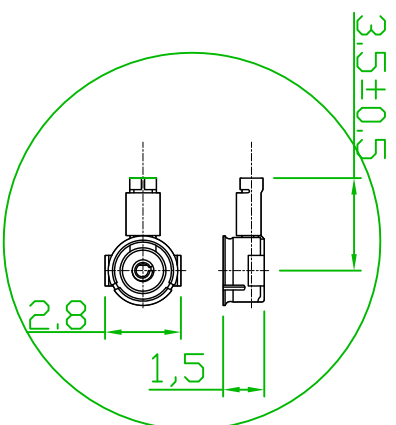


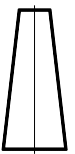
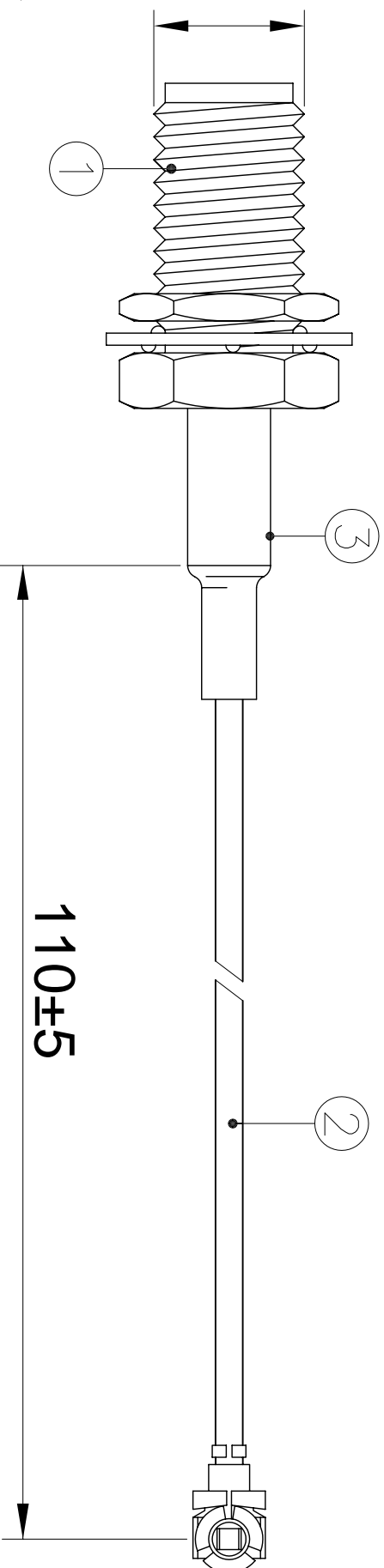
NO.	NAME	FINISH	Q, TY
01	SMA 180° Female	Colden plating	01
02	GSC	Gray	01
03	Heat-shrink tube	Black	01

MXTK92 (Murata) GSC type connector

Scale 5:1



1/4-36UNS-2A



Third angle projection

PROFESSOR

普傑國際股份有限公司

CUSTOMER'S

MODEL

PARTS NUMBER

FREQUENCY

UNIT

SCALE

DATE

VERSION

TOLERANCE

X.XX+0.15

NAME

PARTS NUMBER

APPROVED

CHECKED

DRAWING

DESIGNED

SURFACE ROUGHNESS

S

APPEARANCE

CP1.24-11cm-SMA/F-GSC

1

20070710

M/M

1