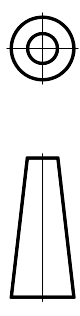
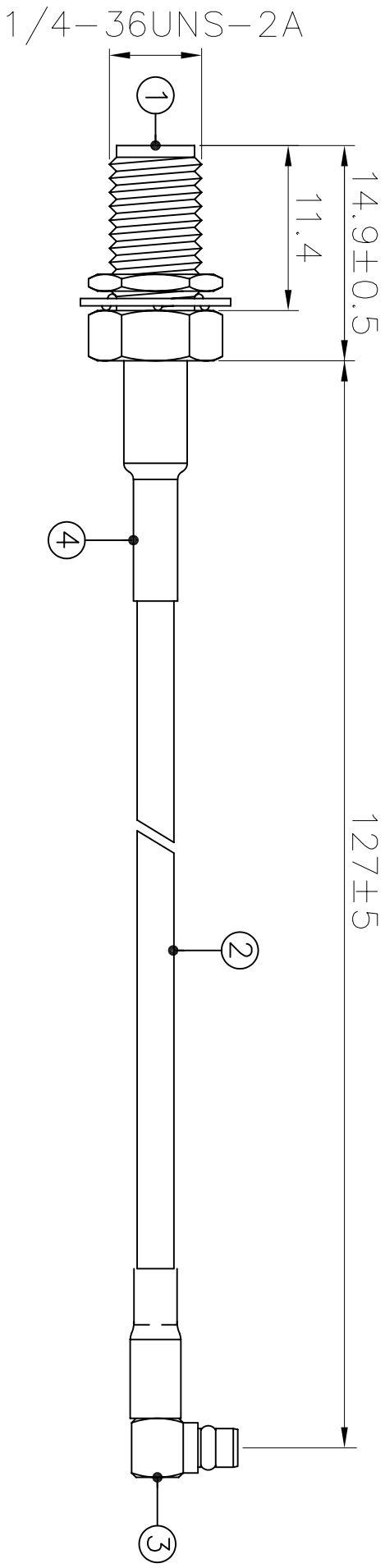


NO.	NAME	MATERIAL	FINISH	Q, TY
01	SMA 180° (Female)	Brass	Colden plating	01
02	RG-178 Cable		Walnut	01
03	MCCX 90° (Male)	Brass	Colden plating	01
04	Heat-shrink tube	Polyolefin	Black	02



Third angle projection

CUSTOMER'S	MODEL	PARTS NUMBER	FREQUENCY	UNIT	SCALE	DATE	VERSION
				M/M		20080305	1
TOLERANCE	X.XX+0.15	NAME		APPROVED		DRAWING	
SURFACE ROUGHNESS	\sqrt{S}	APPEARANCE	CP178-127mm-SMA/F-MCCX (R/A)			DESIGNED	

PROFESSOR

普傑國際股份有限公司