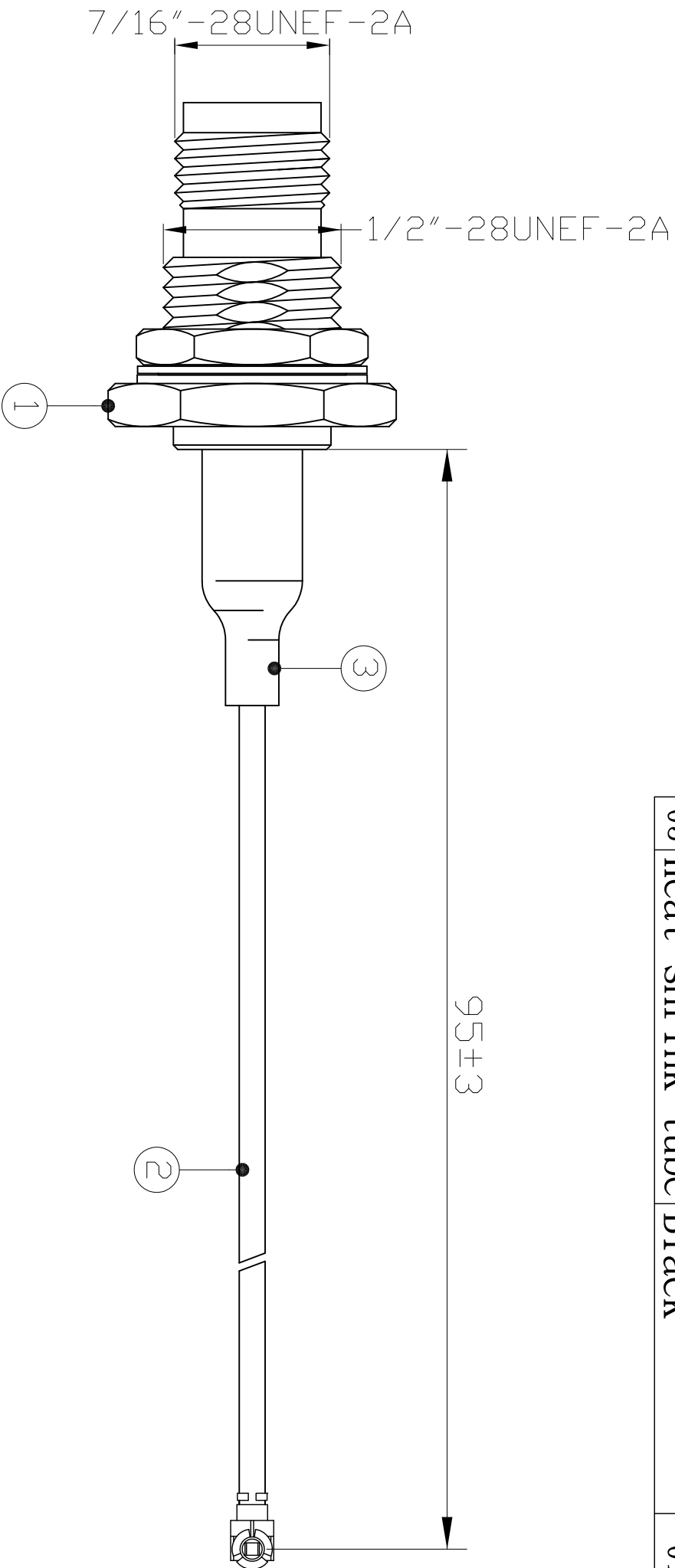
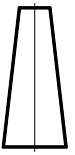


NO.	NAME	FINISH	Q, TY
01	TNC 180° (Female)	Nickel plating	01
02	RG-178+IPEX	Black	01
03	Heat-shrink tube	Black	01



PARTS NUMBER: CP178-RG1789. 5cm TNC/F B/H to IPEX



Third angle projection

CUSTOMER'S	MODEL	PARTS NUMBER	FREQUENCY	UNIT	SCALE	DATE	VERSION
				M/M		20100513	1
TOLERANCE	X. XX+0.15	NAME		APPROVED		DRAWING	DESIGNED
SURFACE ROUGHNESS	\sqrt{S}	APPEARANCE					