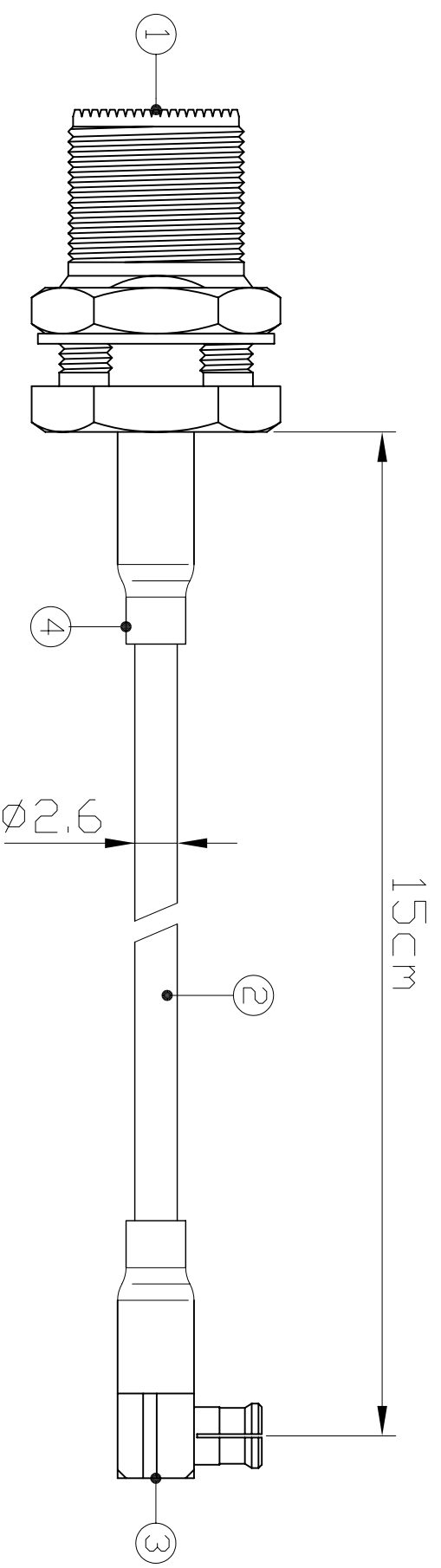


NO.	NAME	Q, TY
01	Mini UHF 180°	01
02	RG-316 Cable	01
03	MCX 90°	01
04	Heat-shrink tube	02

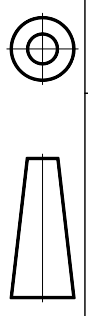


NO	INSP SPEC	TEST INSTRUMENT	NO	INSP SPEC	TEST INSTRUMENT	NO	INSP SPEC	TEST INSTRUMENT	NO	INSP SPEC	TEST INSTRUMENT	NO	DATE	DESCRIPTION	REVISER	VERSION
A			C			E						01				
B			D			F						02				

CUSTOMER'S S	MODEL	PARTS NUMBER	FREQUENCY	UNIT	SCALE	DATE	VERSION
				M/M		20050824	1

TOLERANCE	NAME	PARTS NUMBER	APPROVED	CHECKED	DRAWING	DESIGNED
X.XX±0.15						

SURFACE ROUGHNESS	APPEARANCE
\sqrt{S}	



Third angle projection