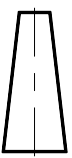
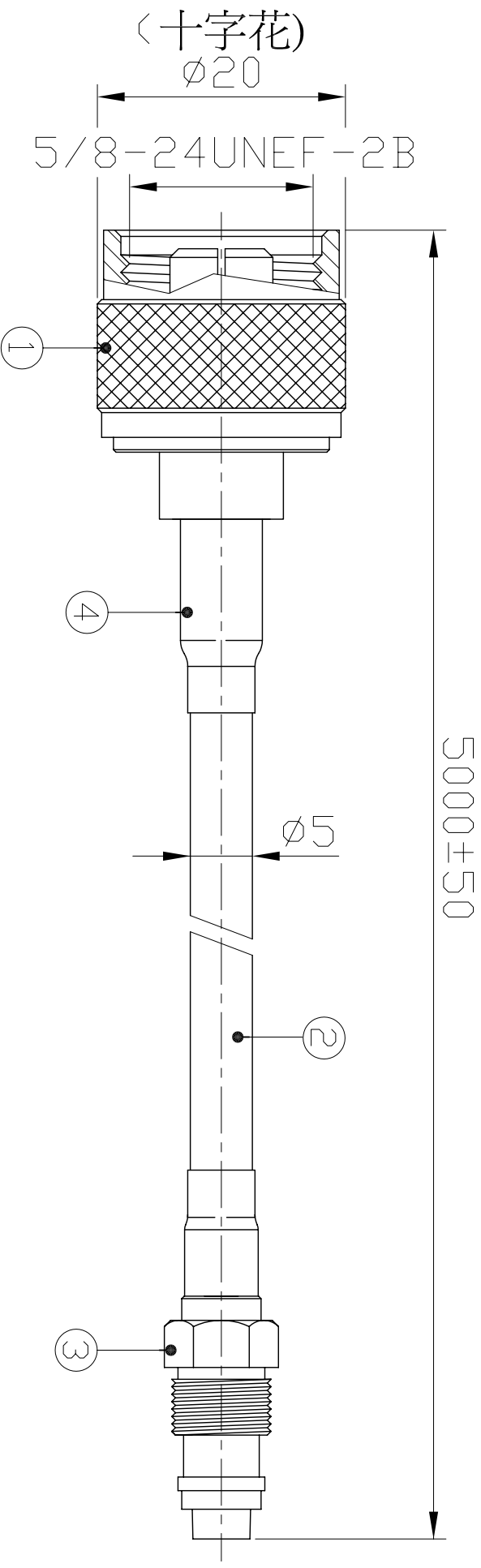


| NO. | NAME              | FINISH         | Q, TV |
|-----|-------------------|----------------|-------|
| 01  | N 180° (Male)     | Nickel plating | 01    |
| 02  | RG-58 A/U Cable   | Black          | 01    |
| 03  | FME 180° (Female) | Nickel plating | 01    |
| 04  | Heat-shrink tube  | Black          | 02    |



Third angle projection

| CUSTOMER'S S      |            | MODEL | PARTS NUMBER | FREQUENCY               | UNIT     | SCALE   | DATE     | VERSION  |
|-------------------|------------|-------|--------------|-------------------------|----------|---------|----------|----------|
|                   |            |       |              |                         | M/M      |         | 20070622 | 1        |
| TOLERANCE         | X. XX±0.15 |       | NAME         | PARTS NUMBER            | APPROVED | CHECKED | DRAWING  | DESIGNED |
| SURFACE ROUGHNESS | $\sqrt{S}$ |       | APPEARANCE   | RG58-5M-Male-FME/Female |          |         |          |          |

PROFESSOR

普傑國際股份有限公司