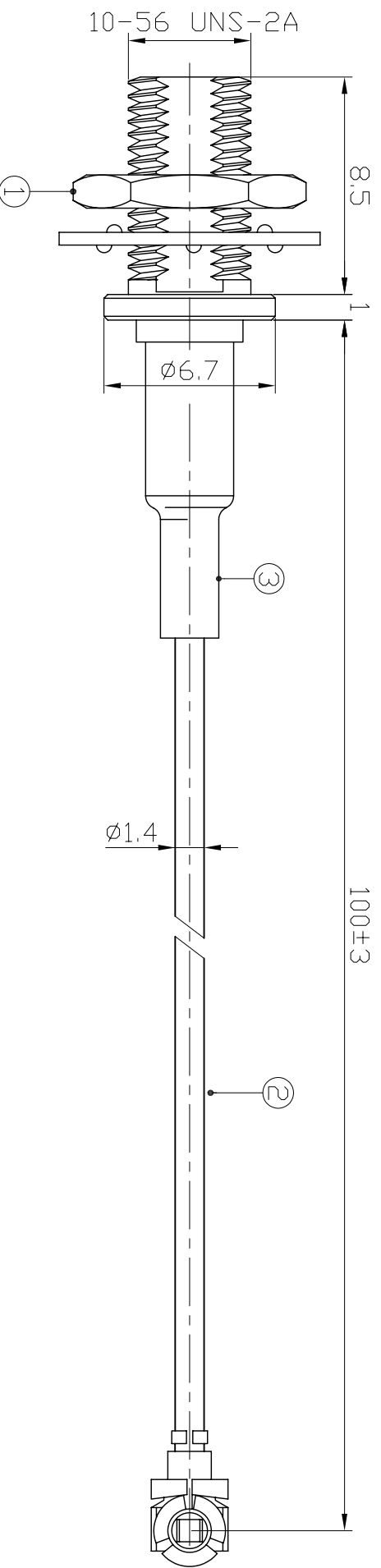


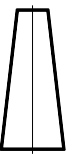
NO.	NAME	MATERIAL	FINISH	Q, TY
01	MCX 180° Female	Brass	Gilding	01
02	HRS H. FL Connector		Black	01
03	Heat-shrink tube	Polyolefin	Black	01



NO	INSP SPEC	TEST INSTRUMENT	NO	INSP SPEC	TEST INSTRUMENT	NO	INSP SPEC	TEST INSTRUMENT	NO	INSP SPEC	TEST INSTRUMENT	NO	DATE	DESCRIPTION	REVISER	VERSION
A			C			E						01				
B			D			F						02				



Third angle projection



CUSTOMER'S MODEL PARTS NUMBER

FREQUENCY UNIT SCALE DATE VERSION

PROFESSOR

TOLERANCE X.XX+0.15

NAME

PARTS NUMBER

APPROVED

CHECKED

DRAWING

DESIGNED

普傑國際股份有限公司

SURFACE ROUGHNESS



APPEARANCE

M/M 20060404

1