

PROFESSOR TECHNOLOGY CO.,LTD

Declaration of Compliance for REACH REACH

Rev:

Company : Projye International Co.,Ltd.

Address : 5F, NO.25-1, JI LIN RD,CHUNG LI INDUSTRIAL PARK,TAOYUAN COUNTY 320, TAIWAN

Product : GPS Antenna CPG11-3M- SMA/Male

We declare and warrant that:

All of the components, subassembly & finished products which provide do not contain **73** substances on the REACH SVHC candidate list in the Table I below in concentrations greater than 0.1% by weight per article, otherwise should report it to GME.

Company Seal

Authorized Signature Liang Wen-Kuang

:

Name : Liang wen Kuang

Title : General Manager

Phone : +886 3 455 1081 Ext.206

Date : 2013-3-20



PROFESSOR TECHNOLOGY CO.,LTD

PROFESSOR

普傑國際股份有限公司

PROFESSOR TECHNOLOGY CO., LTD.

PRODUCT SPECIFICATION

產品承認書

Customer: _____

Product Name: Active GPS Antenna

Model No: CPG11H

Production Region: TAIWAN

Version: English

Customer Approval Stamp.

Date: ___ / ___ / ___.

Contact Info: Jimmy Chan
+886-3-4551081 ext:209
jack@professor.com.tw
jimmychan@professor.com.tw

Model No:

CPG11H

Date:

19/Jan/2005

Checked by:

Approved by:

PROFESSOR TECHNOLOGY CO., LTD.

5F, No.25-1, JiLin Rd., Chung-Li Industrial Park, Taoyuan 320, Taiwan.
TEL :+886-3-4551081 FAX :+886-3-4553913

PROFESSOR TECHNOLOGY CO.,LTD

INTRODUCTION GPS Antenna (Magnetic Mount) CPG11-3M-SMA/Male (HAKS00008) Declaration of Compliance for REACH

1. GENERAL DESCRIPTION

Model No
CPG11-3M-SMA/Male (HAKS00008)

Below is a table summarizing the GPS antenna design specification

Specification 規格

1.0 CONFIGURATION

1.1	RF Cable	RG174 , ϕ 2.5 \pm 0.05mm Double Shield, Black.	
		Cable Length	3000mm \pm 50 mm
1.2	RF Connector	SMA(Male)	

2.0 GENERAL

2.1 ENVIRONMENTAL CONDITIONS

2.1.1	Operation Temperature	-30°C to + 80°C	
2.1.2	Storage Temperatur	-40°C to + 100°C	
2.1.3	Relative Humidity	40% to 95%	

2.2 ELECTRICAL SPECIFICATIONS

2.2.1	Input Voltage	3V~5V	
2.2.2	Power Consumption	At 3.0 V	Typ: 13mA. Max: 16mA.
		At 5.0 V	Typ: 18mA. Max: 22mA.

PROFESSOR TECHNOLOGY CO.,LTD

2.3 MECHANICAL SPECIFICATIONS

2.3.1	Mounting	Magnet mount.
2.3.2	Horizontal Pulling Force of Magnet	1.5 Kg Min.
2.3.3	Water Proof	100 % water proof.
2.3.4	Shock	10msec. Half sine wave.
2.3.5	Magnet Threshold	The antenna must stay attached to the vehicle, at a speed of 180 km/h.
2.3.6	Housing Material	ABS (Black)
2.3.7	Weight	105g Max.
2.3.8	Dimension	See Page. 4

3.0 ANTENNA

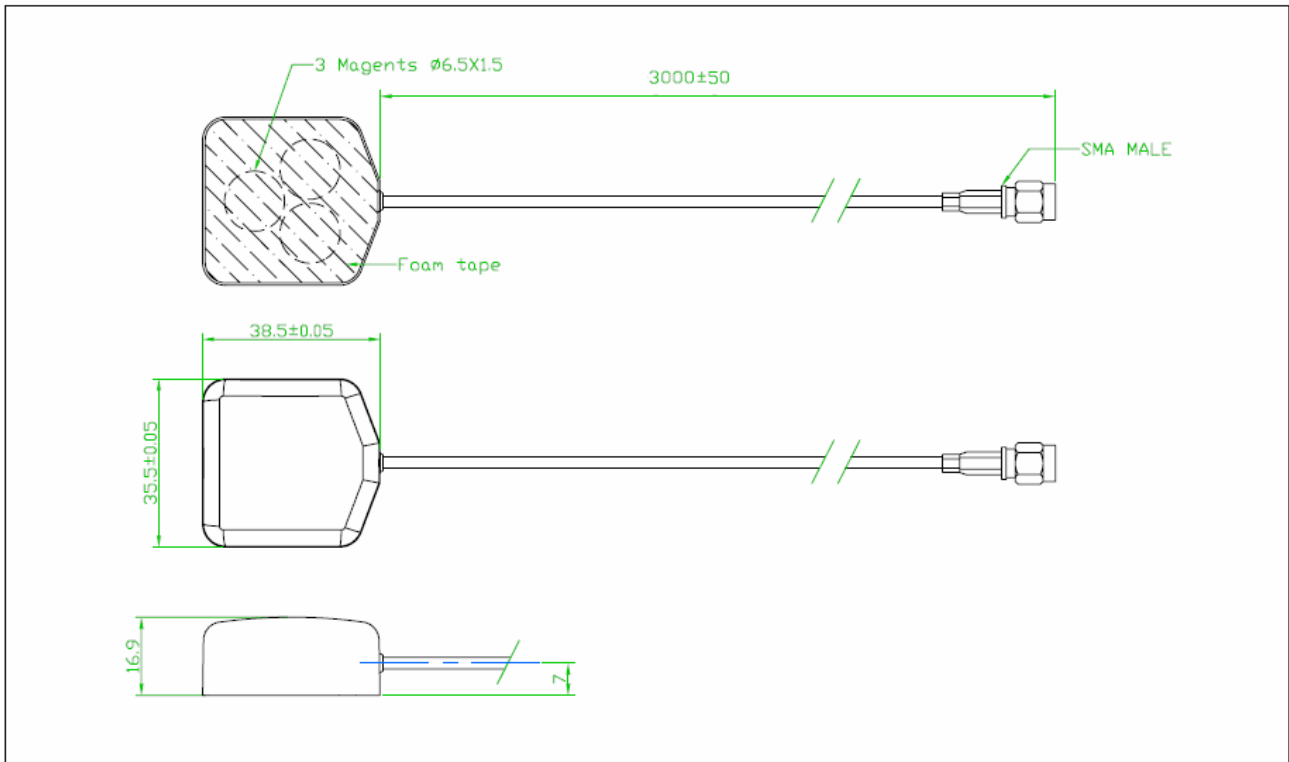
3.1	Frequency Range	1575.42 ± 1.023 MHz.
3.2	Gain	90° : 2.0 dBi Min. 20° : -5.0 dBi Min. Mounted on the 60mm*60mm ground plane.
3.3	Polarization	RHCP
3.4	Axial Ratio	90° : Max 3.0dB Mounted on the 60mm*60mm ground plane.

4.0 LNA

4.1	Frequency Range	1575.42 ± 1.023 MHz
4.2	Gain	28 ± 4.5dB (+ 25 °C ± 5°C)
4.3	Noise Figure	1.5 dB Max. (+25 °C ± 5°C) 2.2 dB Max. (+85 °C)
4.4	Out Band Rejection	fo = 1575.42MHz fo ± 20 MHz 7dB MIN fo ± 30 MHz 12dB MIN fo ± 50 MHz 20dB MIN fo ± 100 MHz 30dB MIN
4.5	Output Impedance	50Ω
4.6	Output VSWR	2.0 Max

PROFESSOR TECHNOLOGY CO.,LTD

2. Appearance

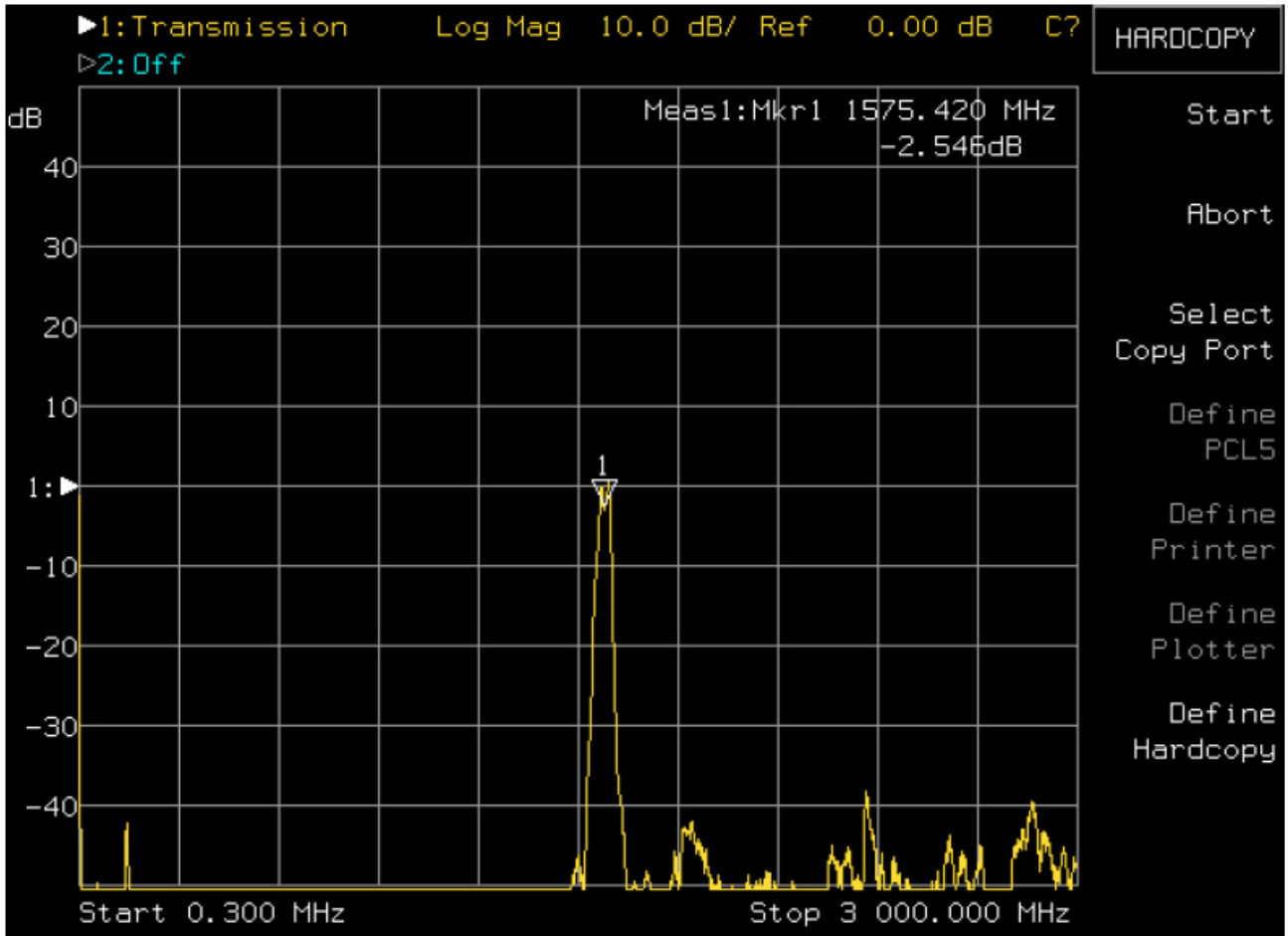


 第三角法 Thrd Angle Projection			GPS ANTENNA		mm	1:1		1
	客戶/ CUSTOMER		圖名 / TITLE		Unit 單位	Scale 比例	Weight 重量	Version 版本
	公差/ Tolerance	± 0.1mm ± 0.05"	檔名/ File name	料號/ Item number	核准 Approved	審查 Checked	製圖 Drawing	設計 Designed
表面精度 / Surface Roughness	一般	CPG11.dwg	CPG11					

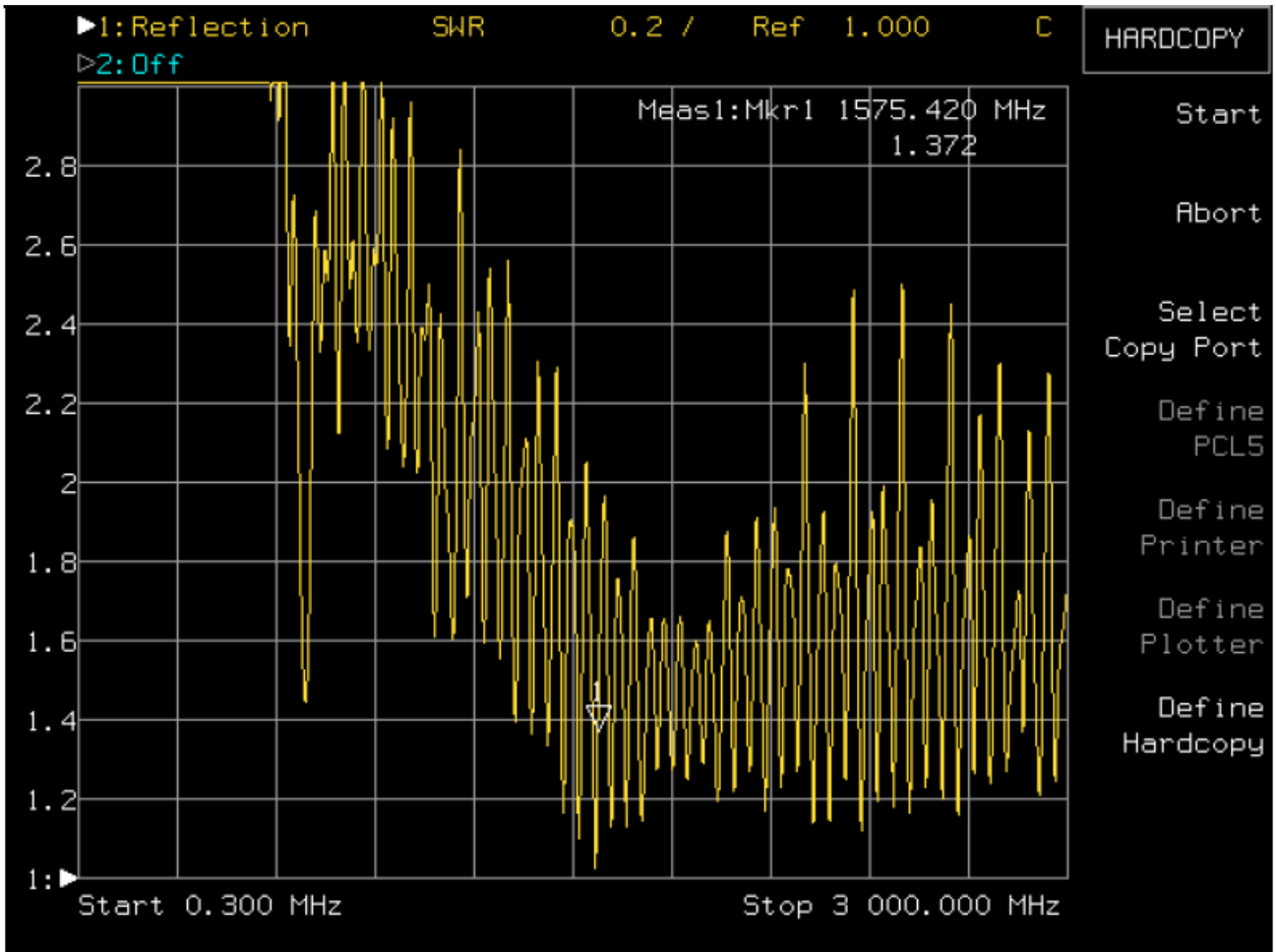
PROFESSOR TECHNOLOGY CO.,LTD

Antenna Pattern

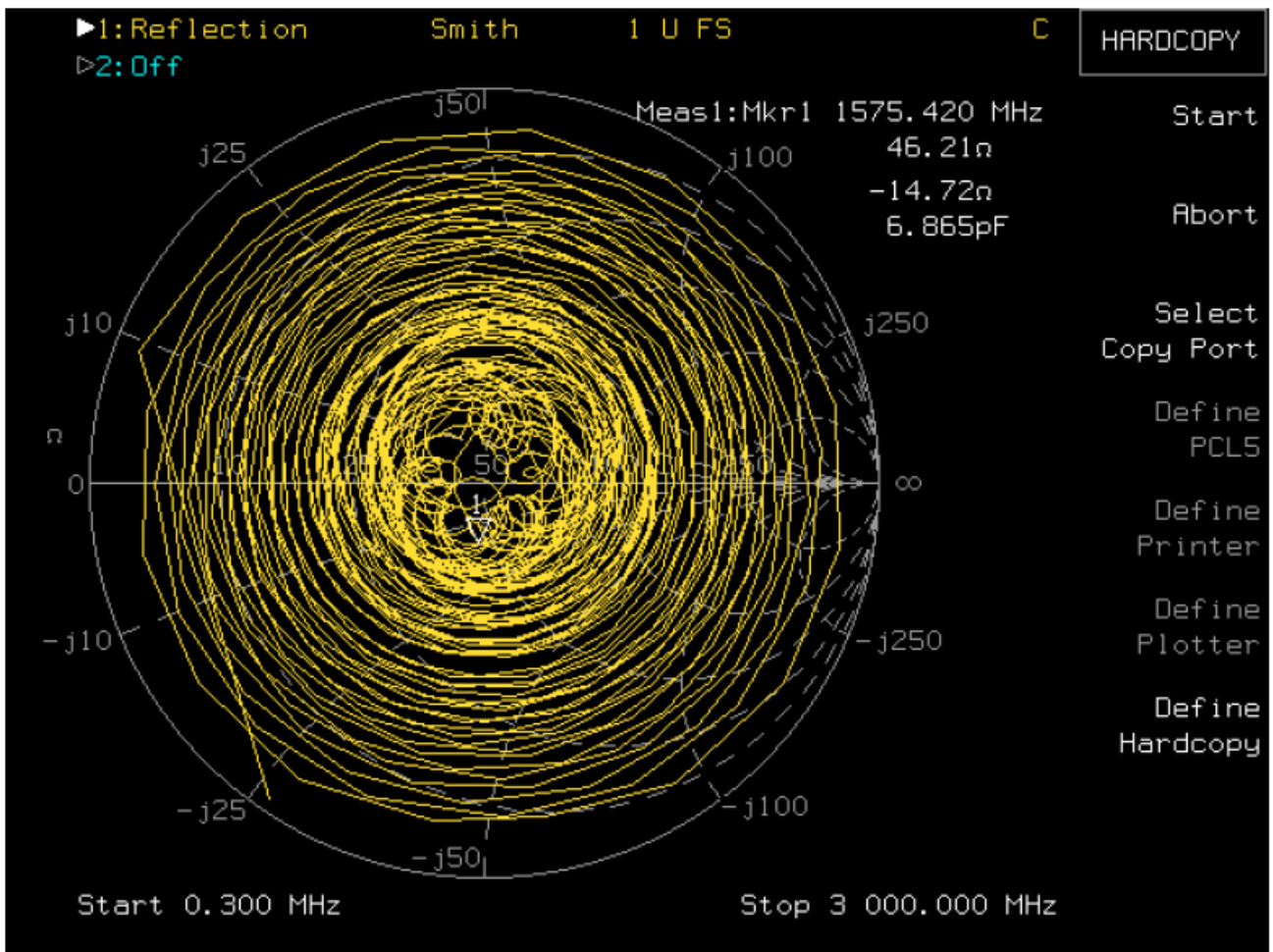
測試圖



PROFESSOR TECHNOLOGY CO.,LTD



PROFESSOR TECHNOLOGY CO.,LTD



PROFESSOR TECHNOLOGY CO.,LTD

Table 1: REACH SVHC List :

Substance Name	EC Number	CAS Number	Date of inclusion	Reason for inclusion	Decision Number
Sodium dichromate	234-190-3	7789-12-0, 10588-01-9	28.10.2008	Carcinogenic, mutagenic and toxic for reproduction (articles 57a, 57b and 57c)	ED/67/2008
1,2,3-Trichloropropane	202-486-1	96-18-4	20.06.2011	Carcinogenic and toxic for reproduction (articles 57 a and 57 c)	ED/31/2011
1,2-Benzenedicarboxylic acid, di-C7-11-branched and linear alkyl esters	271-084-6	68515-42-4	20.06.2011	Toxic for reproduction (article 57c)	ED/31/2011
Acids generated from chromium trioxide and their oligomers. Group containing: Chromic acid, Dichromic acid, Dichromic acid, Oligomers of chromic acid and dichromic acid	231-801-5, 236-881-5	7738-94-5, 13530-68-2	15.12.2010	Carcinogenic (article 57a)	ED/95/2010
Cobalt(II) carbonate	208-169-4	513-79-1	15.12.2010	Carcinogenic and toxic for reproduction (articles 57 a and 57 c)	ED/95/2010
Substance Name	EC Number	CAS Number	Date of inclusion	Reason for inclusion	Decision Number
Zirconia Aluminosilicate Refractory Ceramic Fibres are fibres covered by index number 650-017-00-8 in Annex VI, part 3, table 3.1 of Regulation (EC) No 1272/2008 of the European Parliament and of the Council of 16 December 2008 on classification, labelling and packaging of substances and mixtures, and fulfil the three following conditions: a) oxides of aluminium, silicon and zirconium are the main components present (in the fibres) within variable concentration ranges b) fibres have a length weighted geometric mean diameter less two standard geometric errors of 6 or less micrometres (µm). c) alkaline oxide and alkali earth oxide (Na ₂ O+K ₂ O+CaO+MgO+BaO) content less or equal to 18% by weight			19.12.2011	Carcinogenic (article 57 a)	ED/77/2011
Calcium arsenate	231-904-5	7778-44-1	19.12.2011	Carcinogenic (article 57 a)	ED/77/2011
Bis(2-methoxyethyl) ether	203-924-4	111-96-6	19.12.2011	Toxic for reproduction (article 57 c)	ED/77/2011
Lead chromate molybdate sulphate red (C.I. Pigment Red 104)	235-759-9	12656-85-8	13.01.2010	Carcinogenic and toxic for reproduction (articles 57 a and 57 c)	ED/68/2009

PROFESSOR TECHNOLOGY CO.,LTD

Substance Name	EC Number	CAS Number	Date of inclusion	Reason for inclusion	Decision Number
Anthracene oil, anthracene-low	292-604-8	90640-82-7	13.01.2010	Carcinogenic ² , mutagenic ³ , PBT and vPvB (articles 57a, 57b, 57d and 57e)	ED/68/2009
Potassium hydroxyoctaoxidizincatedichromate	234-329-8	11103-86-9	19.12.2011	Carcinogenic (article 57 a)	ED/77/2011
2,4-Dinitrotoluene	204-450-0	121-14-2	13.01.2010	Carcinogenic (article 57a)	ED/68/2009
Disodium tetraborate, anhydrous	215-540-4	1303-96-4, 1330-43-4, 12179-04-3	18.06.2010	Toxic for reproduction (article 57 c)	ED/30/2010
Acrylamide	201-173-7	79-06-1	30.03.2010	Carcinogenic and mutagenic (articles 57 a and 57 b)	ED/68/2009
Cobalt(II) diacetate	200-755-8	71-48-7	15.12.2010	Carcinogenic and toxic for reproduction (articles 57 a and 57 c)	ED/95/2010
Aluminosilicate Refractory Ceramic Fibres are fibres covered by index number 650-017-00-8 in Annex VI, part 3, table 3.2 of Regulation (EC) No 1272/2008 of the European Parliament and of the Council of 16 December 2008 on classification, labelling and pac			19.12.2011	Carcinogenic (article 57 a)	ED/77/2011

Substance Name	EC Number	CAS Number	Date of inclusion	Reason for inclusion	Decision Number
Lead chromate	231-846-0	7758-97-6	13.01.2010	Carcinogenic and toxic for reproduction (articles 57 a and 57 c)	ED/68/2009
Anthracene oil, anthracene paste, anthracene fraction	295-275-9	91995-15-2	13.01.2010	Carcinogenic ² , mutagenic ³ , PBT and vPvB (articles 57a, 57b, 57d and 57e)	ED/68/2009
Anthracene oil	292-602-7	90640-80-5	13.01.2010	Carcinogenic ¹ , PBT and vPvB (articles 57a, 57d and 57e)	ED/68/2009
N,N-dimethylacetamide	204-826-4	127-19-5	19.12.2011	Toxic for reproduction (article 57 c)	ED/77/2011
Arsenic acid	231-901-9	7778-39-4	19.12.2011	Carcinogenic (article 57 a)	ED/77/2011
5-tert-butyl-2,4,6-trinitro-m-xylene (musk xylene)	201-329-4	81-15-2	28.10.2008	vPvB (article 57e)	ED/67/2008
4,4'- Diaminodiphenylmethane (MDA)	202-974-4	101-77-9	28.10.2008	Carcinogenic (article 57a)	ED/67/2008
Ammonium dichromate	232-143-1	7789-09-5	18.06.2010	Carcinogenic, mutagenic and toxic for reproduction (articles 57 a, 57 b and 57 c)	ED/30/2010

PROFESSOR TECHNOLOGY CO.,LTD

Substance Name	EC Number	CAS Number	Date of inclusion	Reason for inclusion	Decision Number
Tetraboron disodium heptaoxide, hydrate	235-541-3	12267-73-1	18.06.2010	Toxic for reproduction (article 57 c)	ED/30/2010
Tris(2-chloroethyl)phosphate	204-118-5	115-96-8	13.01.2010	Toxic for reproduction (article 57c)	ED/68/2009
2-Methoxyethanol	203-713-7	109-86-4	15.12.2010	Toxic for reproduction (article 57c)	ED/95/2010
Lead dipicrate	229-335-2	6477-64-1	19.12.2011	Toxic for reproduction (article 57 c)	ED/77/2011
1,2-dichloroethane	203-458-1	107-06-2	19.12.2011	Carcinogenic (article 57 a)	ED/77/2011
Bis(tributyltin)oxide (TBTO)	200-268-0	56-35-9	28.10.2008	PBT (article 57d)	ED/67/2008
1-Methyl-2-pyrrolidone	212-828-1	872-50-4	20.06.2011	Toxic for reproduction (article 57c)	ED/31/2011
Chromium trioxide	215-607-8	1333-82-0	15.12.2010	Carcinogenic and mutagenic (articles 57 a and 57 b)	ED/95/2010
Cobalt(II) dinitrate	233-402-1	10141-05-6	15.12.2010	Carcinogenic and toxic for reproduction (articles 57 a and 57 c)	ED/95/2010

Substance Name	EC Number	CAS Number	Date of inclusion	Reason for inclusion	Decision Number
2-Methoxyaniline; o-Anisidine	201-963-1	90-04-0	19.12.2011	Carcinogenic (article 57 a)	ED/77/2011
Trilead diarsenate	222-979-5	3687-31-8	19.12.2011	Carcinogenic and toxic for reproduction (articles 57 a and 57 c)	ED/77/2011
Aluminosilicate Refractory Ceramic Fibres are fibres covered by index number 650-017-00-8 in Annex VI, part 3, table 3.2 of Regulation (EC) No 1272/2008 of the European Parliament and of the Council of 16 December 2008 on classification, labelling and packaging of substances and mixtures, and fulfil the two following conditions: a) Al ₂ O ₃ and SiO ₂ are present within the following concentration ranges: Al ₂ O ₃ : 43.5 – 47 % w/w, and SiO ₂ : 49.5 – 53.5 % w/w, or Al ₂ O ₃ : 45.5 – 50.5 % w/w, and SiO ₂ : 48.5 – 54 % w/w, b) fibres have a length weighted geometric mean diameter less two standard geometric errors of 6 or less micrometres (µm).	-	Extracted from Index no.: 650-017-00-8	13.01.2010	Carcinogenic (article 57a)	ED/68/2009
Hydrazine	206-114-9	302-01-2, 7803-57-8	20.06.2011	Carcinogenic (article 57a)	ED/31/2011

PROFESSOR TECHNOLOGY CO.,LTD

Substance Name	EC Number	CAS Number	Date of inclusion	Reason for inclusion	Decision Number
Strontium chromate	232-142-6	02.06.7789	20.06.2011	Carcinogenic (article 57a)	ED/31/2011
2-Ethoxyethyl acetate	203-839-2	111-15-9	20.06.2011	Toxic for reproduction (article 57c)	ED/31/2011
Pentazinc chromate octahydroxide	256-418-0	49663-84-5	19.12.2011	Carcinogenic (article 57 a)	ED/77/2011
Alkanes, C10-13, chloro (Short Chain Chlorinated Paraffins)	287-476-5	85535-84-8	28.10.2008	PBT and vPvB (articles 57 d and 57 e)	ED/67/2008
Triethyl arsenate	427-700-2	15606-95-8	28.10.2008	Carcinogenic (article 57a)	ED/67/2008
Dibutyl phthalate (DBP)	201-557-4	84-74-2	28.10.2008	Toxic for reproduction (article 57c)	ED/67/2008
Diarsenic trioxide	215-481-4	1327-53-3	28.10.2008	Carcinogenic (article 57a)	ED/67/2008
Anthracene	204-371-1	120-12-7	28.10.2008	PBT (article 57d)	ED/67/2008
1,2-Benzenedicarboxylic acid, di-C6-8-branched alkyl esters, C7-rich	276-158-1	71888-89-6	20.06.2011	Toxic for reproduction (article 57c)	ED/31/2011
Cobalt(II) sulphate	233-334-2	10124-43-3	15.12.2010	Carcinogenic and toxic for reproduction (articles 57 a and 57 c)	ED/95/2010
4-(1,1,3,3-tetramethylbutyl)phenol	205-426-2	140-66-9	19.12.2011	Equivalent level of concern having probable serious effects to the environment (article 57 f)	ED/77/2011

Substance Name	EC Number	CAS Number	Date of inclusion	Reason for inclusion	Decision Number
Formaldehyde, oligomeric reaction products with aniline	500-036-1	25214-70-4	19.12.2011	Carcinogenic (article 57 a)	ED/77/2011
Bis(2-methoxyethyl) phthalate	204-212-6	117-82-8	19.12.2011	Toxic for reproduction (article 57 c)	ED/77/2011
Anthracene oil, anthracene paste, distn. lights	295-278-5	91995-17-4	13.01.2010	Carcinogenic ² , mutagenic ² , PBT and vPvB (articles 57a, 57b, 57d and 57e)	ED/68/2009
Lead hydrogen arsenate	232-064-2	7784-40-9	28.10.2008	Carcinogenic and toxic for reproduction (articles 57 a and 57 c)	ED/67/2008
Benzyl butyl phthalate (BBP)	201-622-7	85-68-7	28.10.2008	Toxic for reproduction (article 57c)	ED/67/2008
Potassium dichromate	231-906-6	7778-50-9	18.06.2010	Carcinogenic, mutagenic and toxic for reproduction (articles 57 a, 57 b and 57 c)	ED/30/2010
Trichloroethylene	201-167-4	79-01-6	18.06.2010	Carcinogenic (article 57 a)	ED/30/2010

PROFESSOR TECHNOLOGY CO.,LTD

Substance Name	EC Number	CAS Number	Date of inclusion	Reason for inclusion	Decision Number
Zirconia Aluminosilicate Refractory Ceramic Fibres are fibres covered by index number 650-017-00-8 in Annex VI, part 3, table 3.2 of Regulation (EC) No 1272/2008 of the European Parliament and of the Council of 16 December 2008 on classification, labelling and packaging of substances and mixtures, and fulfil the two following conditions: a) Al ₂ O ₃ , SiO ₂ and ZrO ₂ are present within the following concentration ranges: Al ₂ O ₃ : 35 – 36 % w/w, and SiO ₂ : 47.5 – 50 % w/w, and ZrO ₂ : 15 - 17 % w/w, b) fibres have a length weighted geometric mean diameter less two standard geometric errors of 6 or less micrometres (µm).	-	Extracted from Index no. 650-017-00-8	13.01.2010	Carcinogenic (article 57a)	ED/68/2009
Pitch, coal tar, high temp.	266-028-2	65996-93-2	13.01.2010	Carcinogenic, PBT and vPvB (articles 57a, 57d and 57e)	ED/68/2009
Lead sulfochromate yellow (C.I. Pigment Yellow 34)	215-693-7	1344-37-2	13.01.2010	Carcinogenic and toxic for reproduction (articles 57 a and 57 c))	ED/68/2009
Cobalt dichloride	231-589-4	7646-79-9	2011/06/20 - 2008/10/28	Carcinogenic and toxic for reproduction (articles 57 a and 57 c)	ED/31/2011 / ED/67/2008
Lead diazide, Lead azide	236-542-1	13424-46-9	19.12.2011	Toxic for reproduction (article 57 c),	ED/77/2011

Substance Name	EC Number	CAS Number	Date of inclusion	Reason for inclusion	Decision Number
Diisobutyl phthalate	201-553-2	84-69-5	13.01.2010	Toxic for reproduction (article 57c)	ED/68/2009
Sodium chromate	231-889-5	7775-11-3	18.06.2010	Carcinogenic, mutagenic and toxic for reproduction (articles 57 a, 57 b and 57 c)	ED/30/2010
Anthracene oil, anthracene paste	292-603-2	90640-81-6	13.01.2010	Carcinogenic ⁺ , mutagenic ⁺ , PBT and vPvB (articles 57a, 57b, 57d and 57e)	ED/68/2009
Hexabromocyclododecane (HBCDD) and all major diastereoisomers identified: Alpha-hexabromocyclododecane Beta-hexabromocyclododecane Gamma-hexabromocyclododecane	247-148-4 and 221-695-9	25637-99-4, 3194-55-6 (134237-50-6) (134237-51-7) (134237-52-8)	28.10.2008	PBT (article 57d)	ED/67/2008
Diarsenic pentaoxide	215-116-9	1303-28-2	28.10.2008	Carcinogenic (article 57a)	ED/67/2008
Bis (2-ethylhexyl)phthalate (DEHP)	204-211-0	117-81-7	28.10.2008	Toxic for reproduction (article 57c)	ED/67/2008
Potassium chromate	232-140-5	7789-00-6	18.06.2010	Carcinogenic and mutagenic (articles 57 a and 57 b).	ED/30/2010
Boric acid	233-139-2, 234-343-4	10043-35-3, 11113-50-1	18.06.2010	Toxic for reproduction (article 57 c)	ED/30/2010
2-Ethoxyethanol	203-804-1	110-80-5	15.12.2010	Toxic for reproduction (article 57c)	ED/95/2010

PROFESSOR TECHNOLOGY CO.,LTD

Substance Name	EC Number	CAS Number	Date of inclusion	Reason for inclusion	Decision Number
Lead styphnate	239-290-0	15245-44-0	19.12.2011	Toxic for reproduction (article 57 c)	ED/77/2011
2,2'-dichloro-4,4'-methylenedianiline	202-918-9	101-14-4	19.12.2011	Carcinogenic (article 57 a)	ED/77/2011
Phenolphthalein	201-004-7	77-09-8	19.12.2011	Carcinogenic (article 57 a)	ED/77/2011
Dichromium tris(chromate)	246-356-2	24613-89-6	19.12.2011	Carcinogenic (article 57 a)	ED/77/2011