

PROFESSOR TECHNOLOGY CO.,LTD.

CPB890-N/Female (690~896,1850~1990MHz) SPECIFICATION

一. ELECTRONICAL:

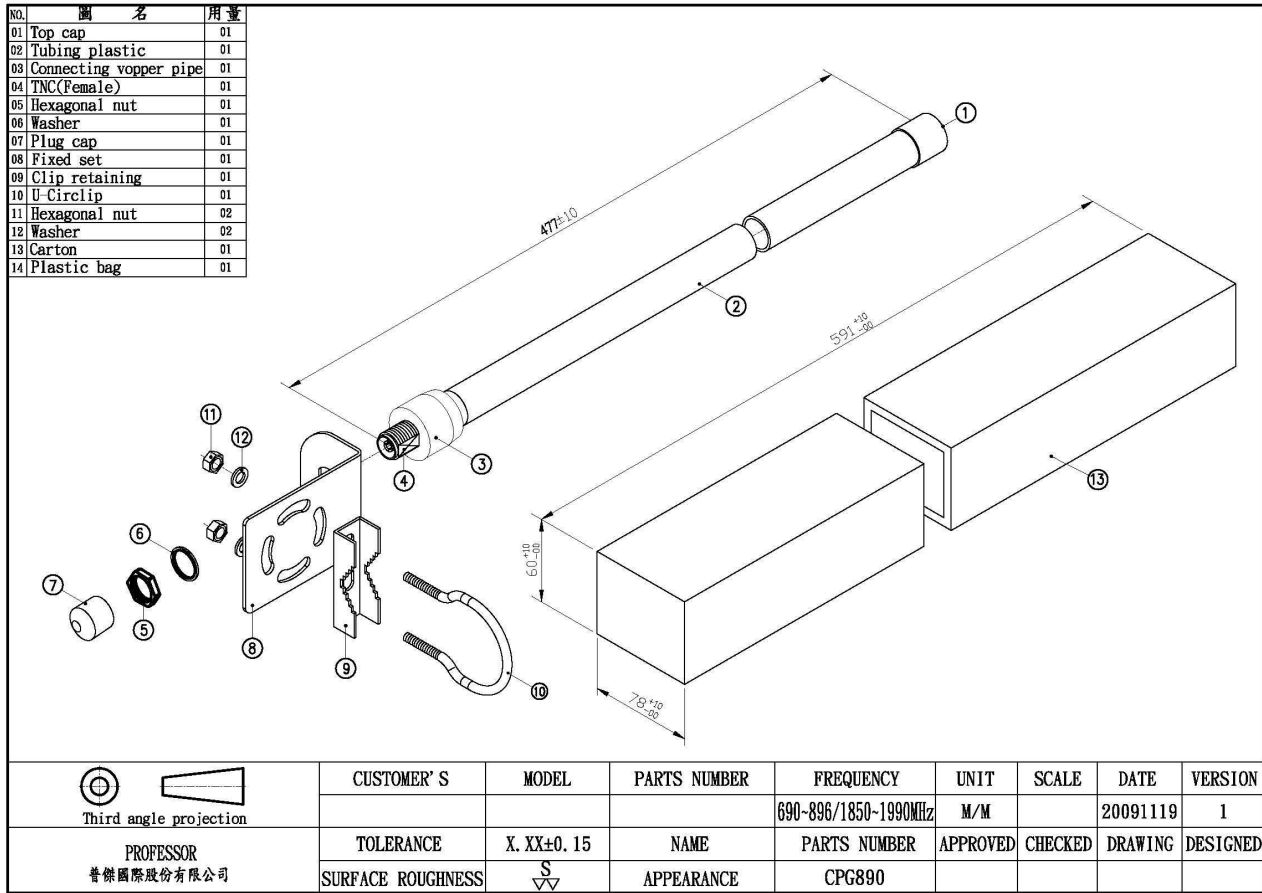
- 1. ANTENNA TYPE 天線型式: Base Antenna**
- 2. FREQUENCY 頻率: 690~896/1850~1990 MHz**
- 3. IMPEDANCE 阻抗: 50 Ohm**
- 4. POLARISATION 極: Verticle**
- 5. VSWR: 2.0:1**
- 6. MAX.POWER 最大功率: 50W**

二. MECHANICAL:

- 1. MATERIALS 材質: Fiber**
 - 2. COLOR 顏色: White**
 - 3. TOTAL HEIGHT 總長度: 477m/m \pm 10**
 - 4. WEIGHT 重量:**
-
-

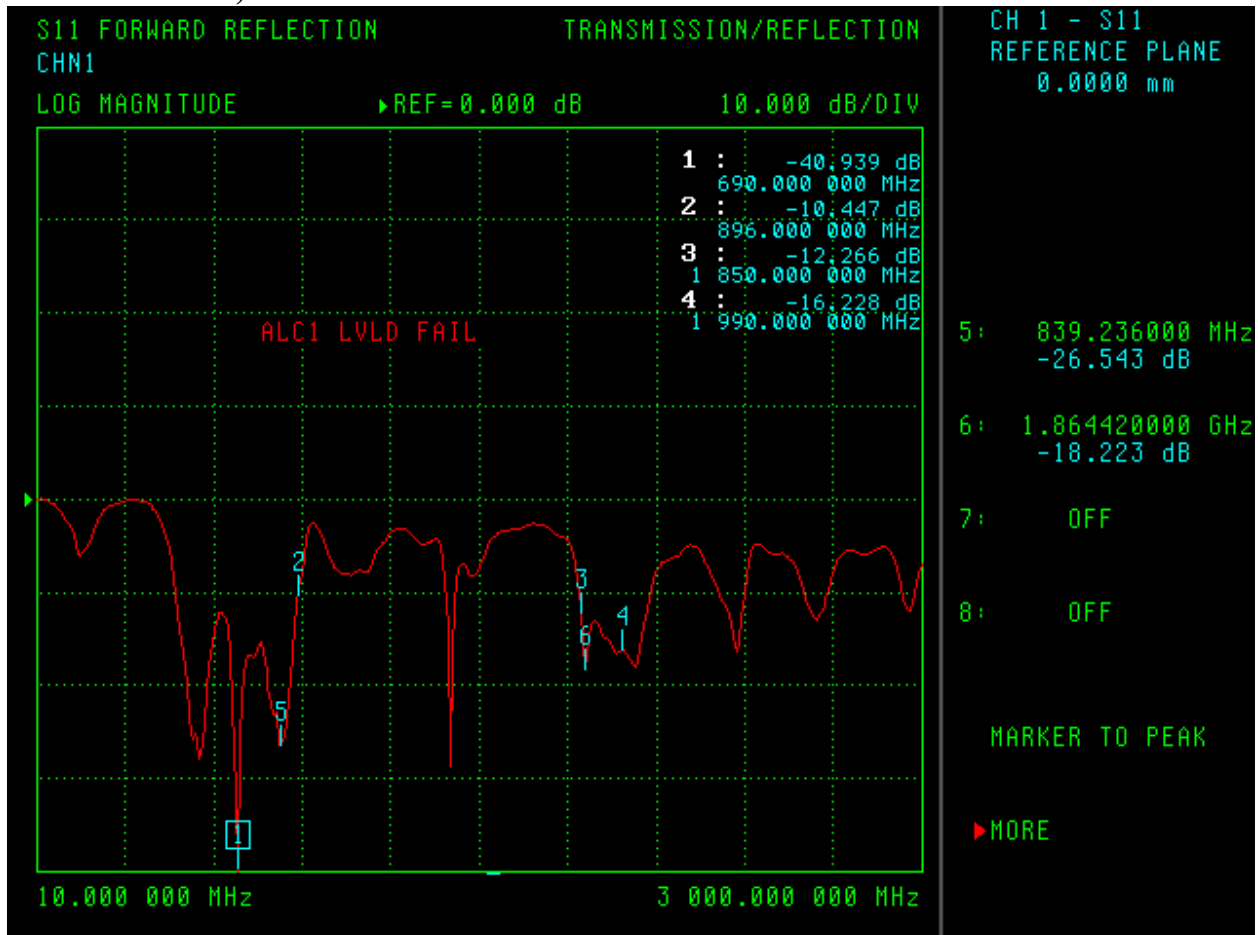
PROFESSOR TECHNOLOGY CO.,LTD.

1. APPEARANCE:

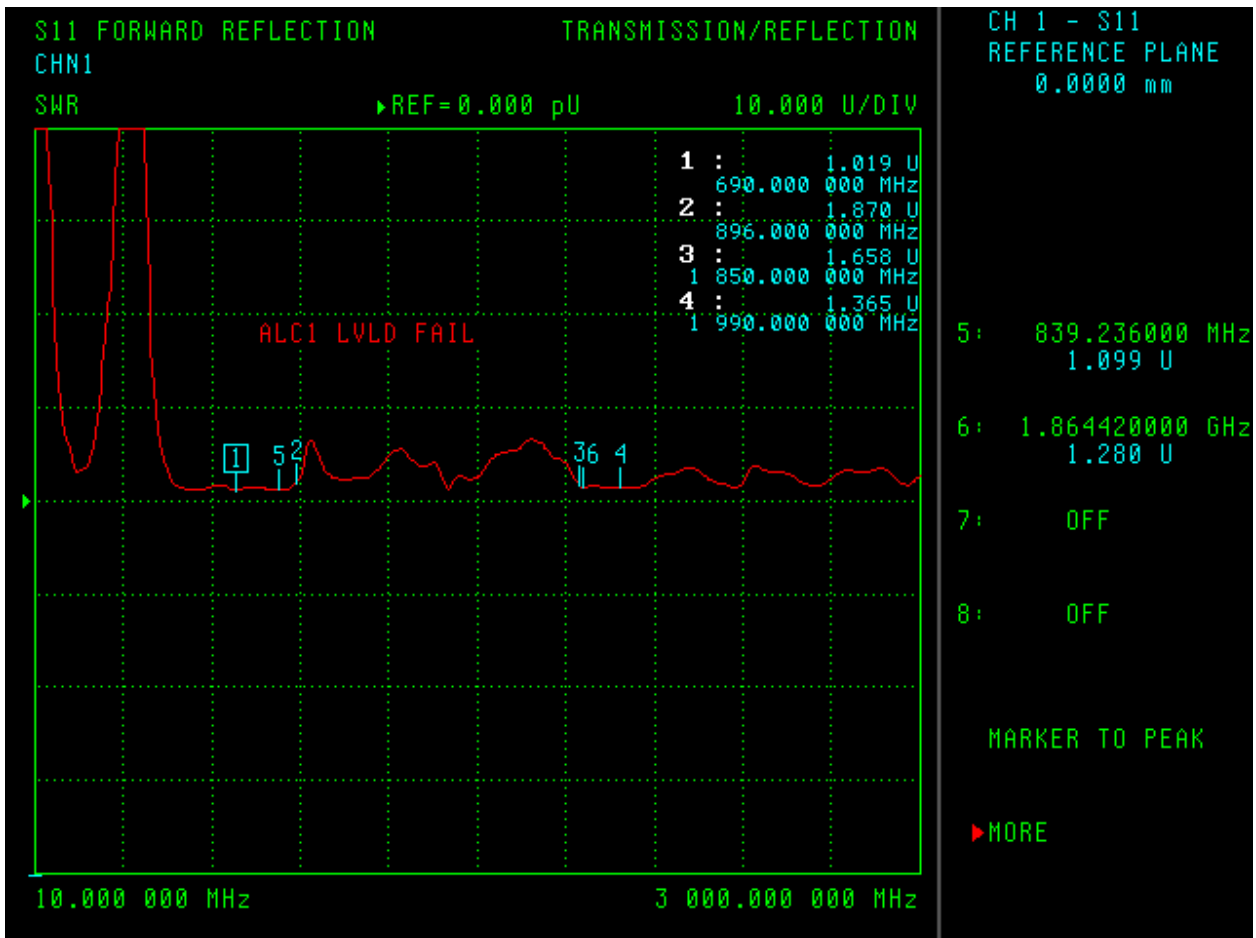


PROFESSOR TECHNOLOGY CO.,LTD.

2. Return Loss, V.S.W.R. and Smith Chart



PROFESSOR TECHNOLOGY CO.,LTD.



PROFESSOR TECHNOLOGY CO.,LTD.

