

# Ceramic Patch Antenna APPLICATION

**\* 本產品符合 RoHS 條款 \***

**CUSTOMER:** \_\_\_\_\_

GPS Antenna

Patch: 25x25x4 mm

CUSTOMER APPROVAL

普傑國際股份有限公司

PROFESSOR TECHNOLOGY CO., LTD

APPROVAL BY	CHECKED BY	DRAWING BY
		

## Explanation of Part Number

G    25    04    75    P    S30  
(1)    (2)    (3)    (4)    (5)    (6)

(1) GPS

(2) Dimension: length x width = 25 x 25 mm

(3) Dimension: thickness = 4 mm

(4) Center Frequency  $f_0$  = 1575 MHz

(5) Patch

(6) PIN 3.0 mm

**Professor Technology Co., Ltd.**

THIS DRAWINGS AND SPECIFICATIONS ARE THE PROPERTY OF PROFESSOR TECHNOLOGY CO., Ltd. AND SHALL NOT BE REPRODUCED OR USED AS THE BASIS FOR THE MANUFACTURE OR SALE OF APPARATUS OR DEVICES WITHOUT PERMISSION

TITLE : Ceramic Patch Antenna

DOCUMENT  
NO.

GPS-CPA-25x25x4-30

PAGE REV.  
A1

# Ceramic Patch Antenna

## Application

Automotive, recreational, military, marine, aviation, surveying

## Typical Electrical Properties

Characteristics	Specification	Unit	Conditions
Center Frequency $f_0$	1575.0 $\pm$ 3.0 *	MHz	70x70mm (不含背膠測量)
Bandwidth	9.0 min	MHz	Return Loss $\leq$ -10Db
Gain at Zenith	+5.0 tpy	dBi	@1575.0 MHz*
Gain at 10° elevation	-1.0 tpy	dBi	@1575.0 MHz*
Impedance	50	$\Omega$	參考值
Frequency Temperature Coefficient	0 $\pm$ 20	ppm/°C	-40°C to +85°C
Axial Ratio	3.0max	dB	@1575.0 MHz

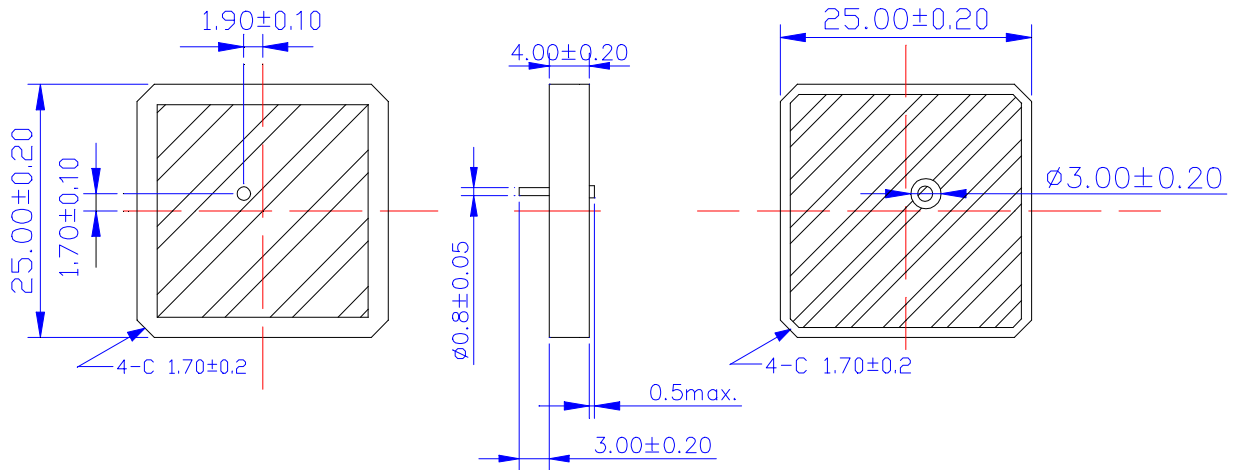
※Those spec are for super standard only.

**Professor Technology Co., Ltd.**

THIS DRAWINGS AND SPECIFICATIONS ARE THE PROPERTY OF PROFESSOR TECHNOLOGY CO., Ltd. AND SHALL NOT BE REPRODUCED OR USED AS THE BASIS FOR THE MANUFACTURE OR SALE OF APPARATUS OR DEVICES WITHOUT PERMISSION

TITLE : Ceramic Patch Antenna	DOCUMENT NO.	GPS-CPA-25x25x4-30	PAGE REV.
			A1

# Product Dimension

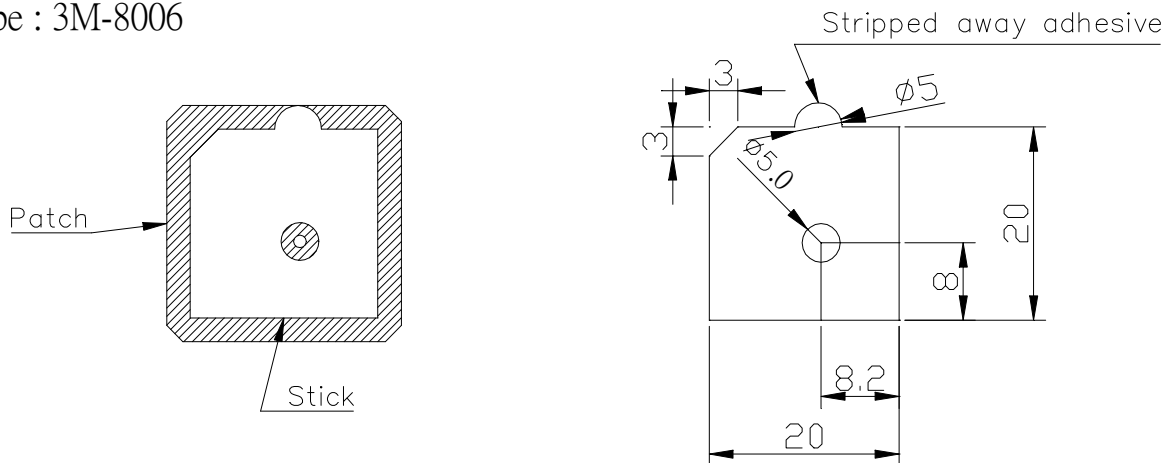


Unit : mm

## Stick Type Position at Ceramic Patch Antenna

Dimension: mm

Stick type : 3M-8006



Tolerance: ±0.5mm

**Professor Technology Co., Ltd.**

THIS DRAWINGS AND SPECIFICATIONS ARE THE PROPERTY OF PROFESSOR TECHNOLOGY CO., Ltd. AND SHALL NOT BE REPRODUCED OR USED AS THE BASIS FOR THE MANUFACTURE OR SALE OF APPARATUS OR DEVICES WITHOUT PERMISSION

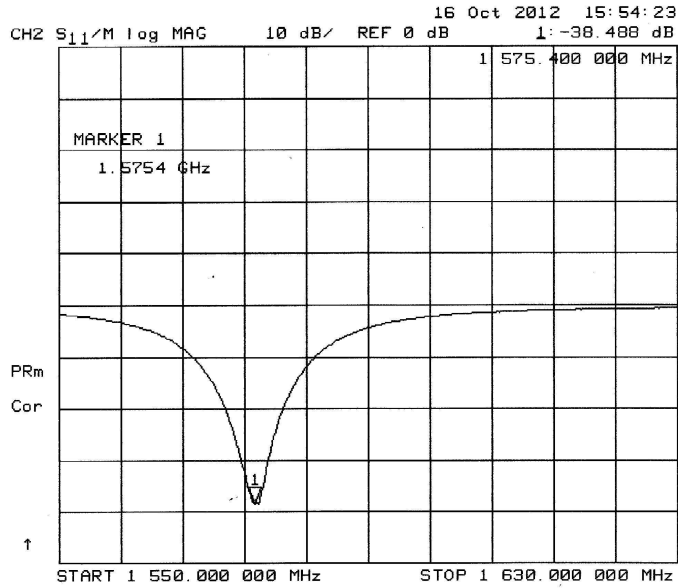
TITLE : Ceramic Patch Antenna

DOCUMENT  
NO.

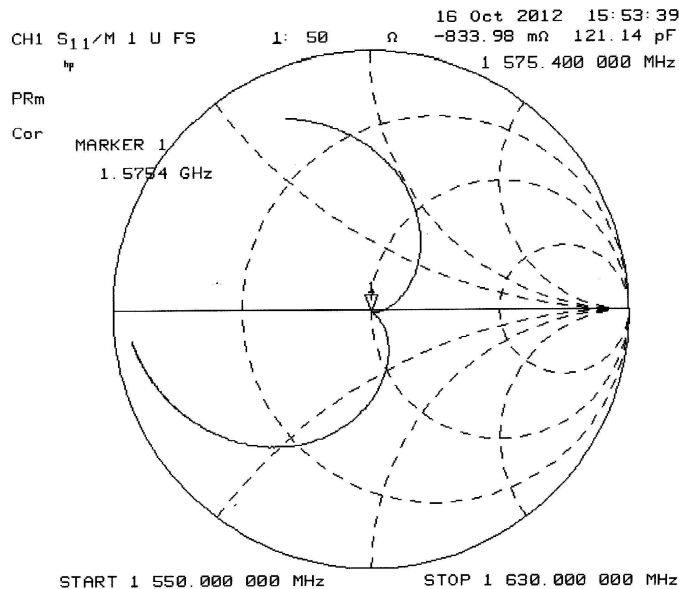
**GPS-CPA-25x25x4-30**

PAGE REV.  
A1

# Reflection Coefficient



# Input Impedance on a Smith Chart



**Professor Technology Co., Ltd.**

THIS DRAWINGS AND SPECIFICATIONS ARE THE PROPERTY OF PROFESSOR TECHNOLOGY CO., Ltd. AND SHALL NOT BE REPRODUCED OR USED AS THE BASIS FOR THE MANUFACTURE OR SALE OF APPARATUS OR DEVICES WITHOUT PERMISSION

TITLE : Ceramic Patch Antenna

DOCUMENT NO.

GPS-CPA-25x25x4-30

PAGE REV.  
A1

**PACKAGE:**

TRAY SIZE: 380× 205 × 18 (mm)

BOX SIZE: 400 ×228 × 194(mm)

A TRAY: 50 pcs

A BOX: 16 trays

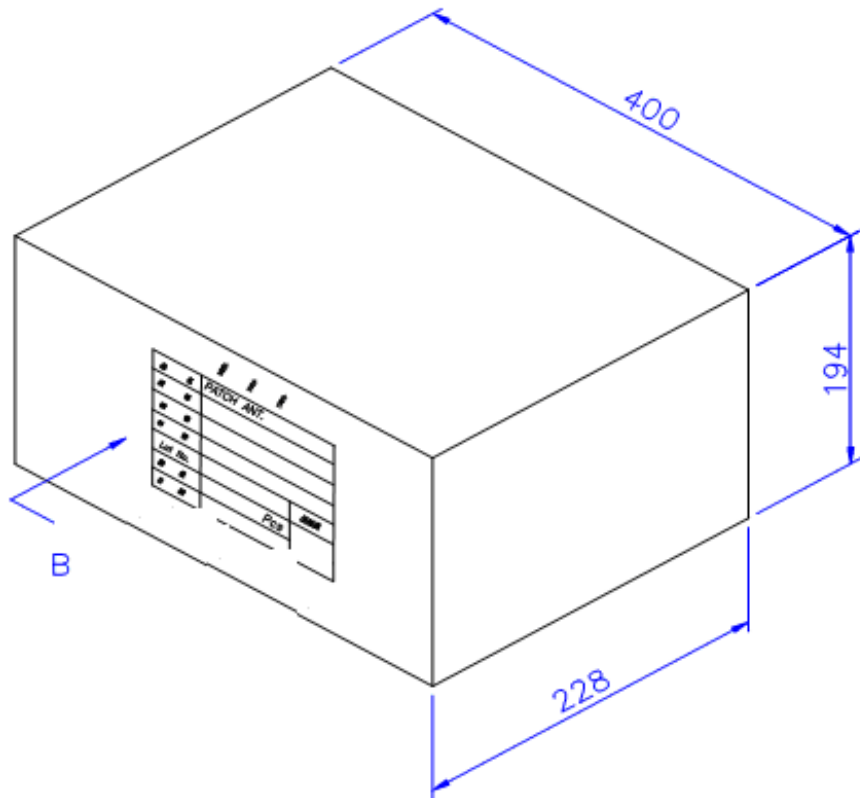
A BOX: 800 pcs

NET WEIGHT: 9.0 kg

**Professor Technology Co., Ltd.**

THIS DRAWINGS AND SPECIFICATIONS ARE THE PROPERTY OF PROFESSOR TECHNOLOGY CO., Ltd. AND SHALL NOT BE REPRODUCED OR USED AS THE BASIS FOR THE MANUFACTURE OR SALE OF APPARATUS OR DEVICES WITHOUT PERMISSION

TITLE : Ceramic Patch Antenna	DOCUMENT NO.	GPS-CPA-25x25x4-30	PAGE REV. A1
-------------------------------	--------------	--------------------	-----------------



檢 查 表

品 名	PATCH ANT.	
規 格		
廠 牌		
料 號		
Lot No.		品檢員
數 量	Pcs	
日 期		

DETAIL B

**Professor Technology Co., Ltd.**

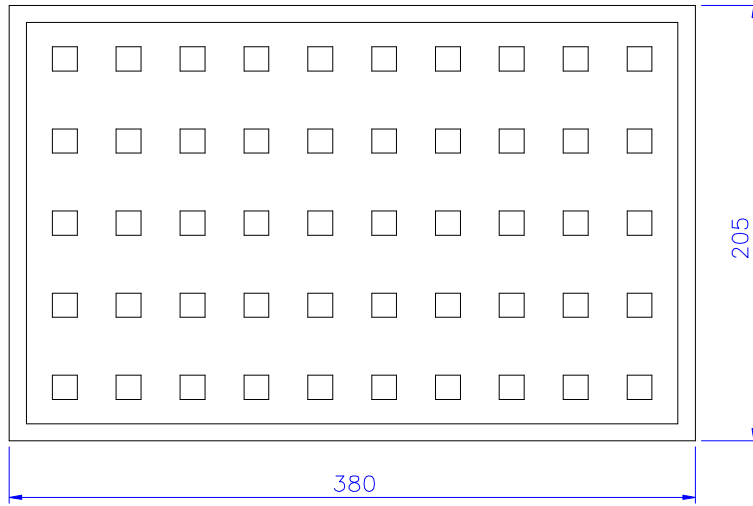
THIS DRAWINGS AND SPECIFICATIONS ARE THE PROPERTY OF PROFESSOR TECHNOLOGY CO., Ltd. AND SHALL NOT BE REPRODUCED OR USED AS THE BASIS FOR THE MANUFACTURE OR SALE OF APPARATUS OR DEVICES WITHOUT PERMISSION

TITLE : Ceramic Patch Antenna

DOCUMENT  
NO.

**GPS-CPA-25x25x4-30**

PAGE REV.  
A1



**Professor Technology Co., Ltd.**

THIS DRAWINGS AND SPECIFICATIONS ARE THE PROPERTY OF PROFESSOR TECHNOLOGY CO., Ltd. AND SHALL NOT BE REPRODUCED OR USED AS THE BASIS FOR THE MANUFACTURE OR SALE OF APPARATUS OR DEVICES WITHOUT PERMISSION

TITLE : Ceramic Patch Antenna	DOCUMENT NO.	<b>GPS-CPA-25x25x4-30</b>	PAGE REV. A1
-------------------------------	--------------	---------------------------	-----------------