
INTRODUCTION

1. GENERAL DESCRIPTION

Model No
CPR433W-SMA-MALE- EA-79H-2

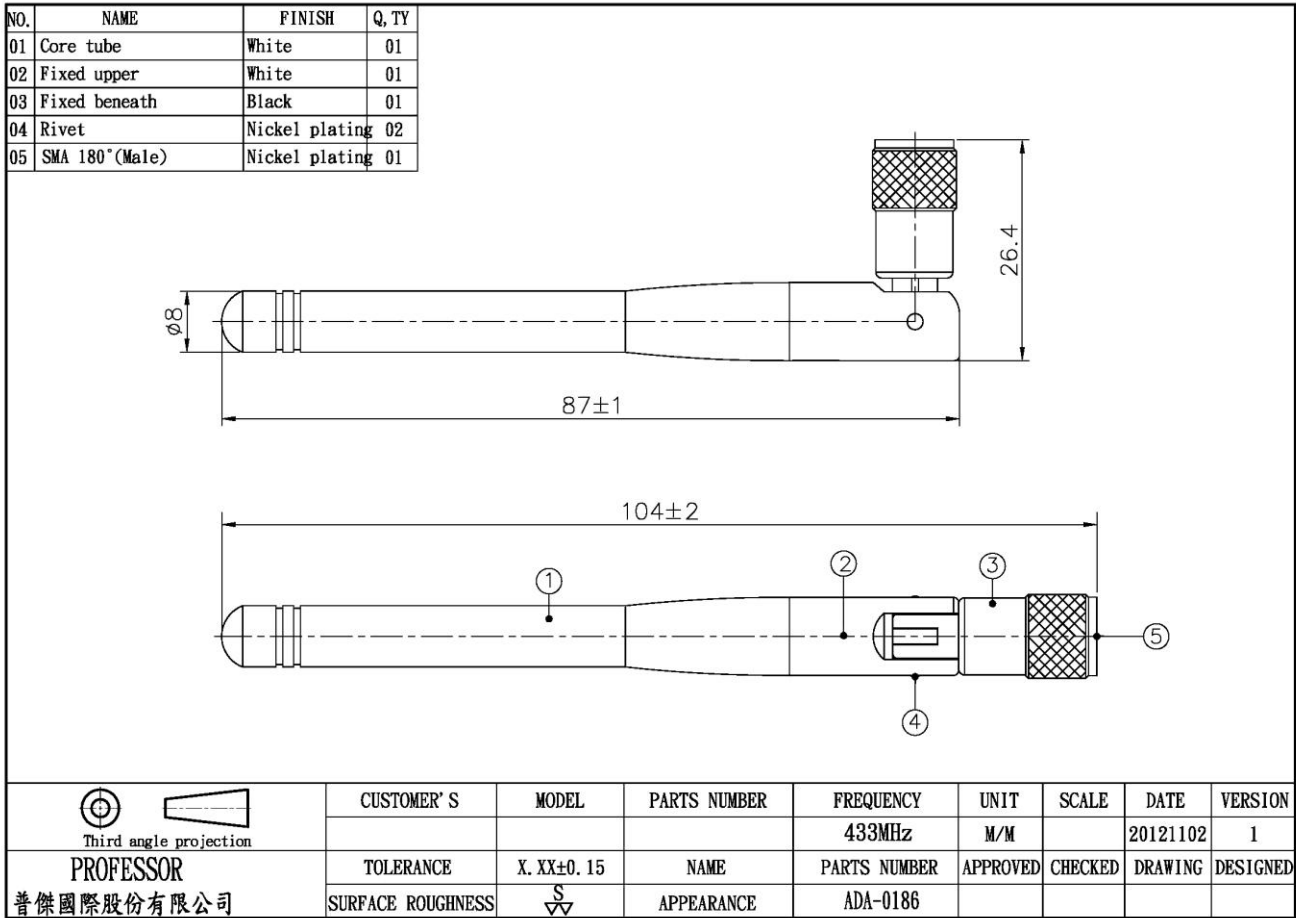
1.1 Electrical Properties

Parameter	Description
Frequency Band	433 MHz
Nominal Impedance	50 ohm
Polarization	Vertical
Return Loss	Please See Data-1
V.S.W.R	2.0 : 1

1.2 Mechanical Properties

Parameter	Description
Antenna Type	External Antenna
Touch Type	Screw Type
Connector Type	SMA Connector (Male)
Antenna Dimensions	104mm \pm 2
Antenna Color	White
Operating Temperature Range	-20°C~+60°C
Storage Temperature Range	-30°C~+70°C

2. Appearance



3. Return Loss, V.S.W.R. and Smith Chart

