

PROFESSOR TECHNOLOGY CO.,LTD.

INTRODUCTION

1. GENERAL DESCRIPTION

Model No
RF PCB-60x16x0.8mm (with 1.13-10cm-IPEX)

1.1 Electrical Properties

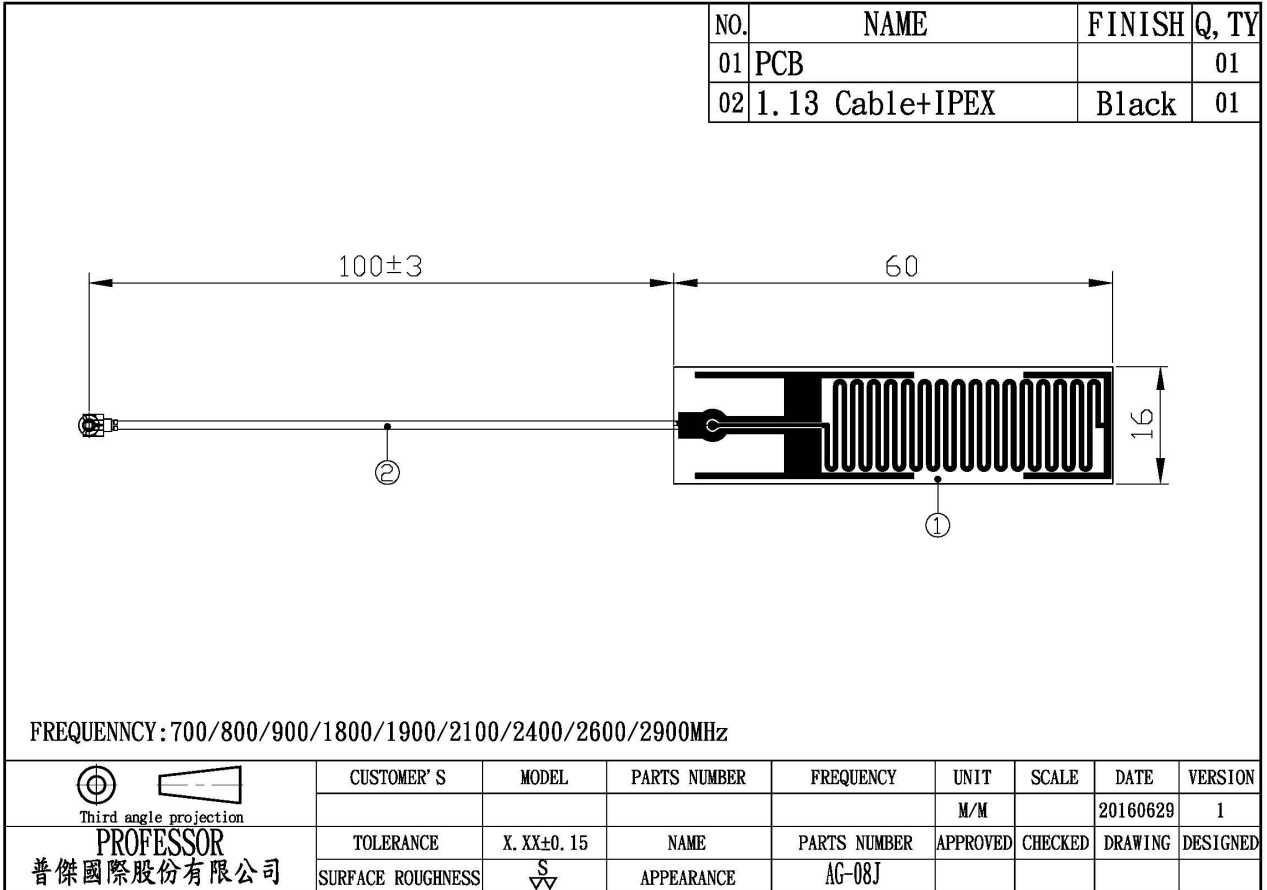
Parameter	Description
Frequency Band	700/800/900/1800/1900/2100/2400/2600/2900MHz
Nominal Impedance	50 ohm
Polarization	Vertical
Return Loss	-42.997~-2.83 dB
V.S.W.R	1.01~6.1:1
Note: Gain includes the cable loss	

1.2 Mechanical Properties

Parameter	Description
Antenna Cable Total Length	1.13 Cable+IPEX/100±5
Operating Temperature Range	-35°C~+70°C
Storage Temperature Range	-40°C~+75°C

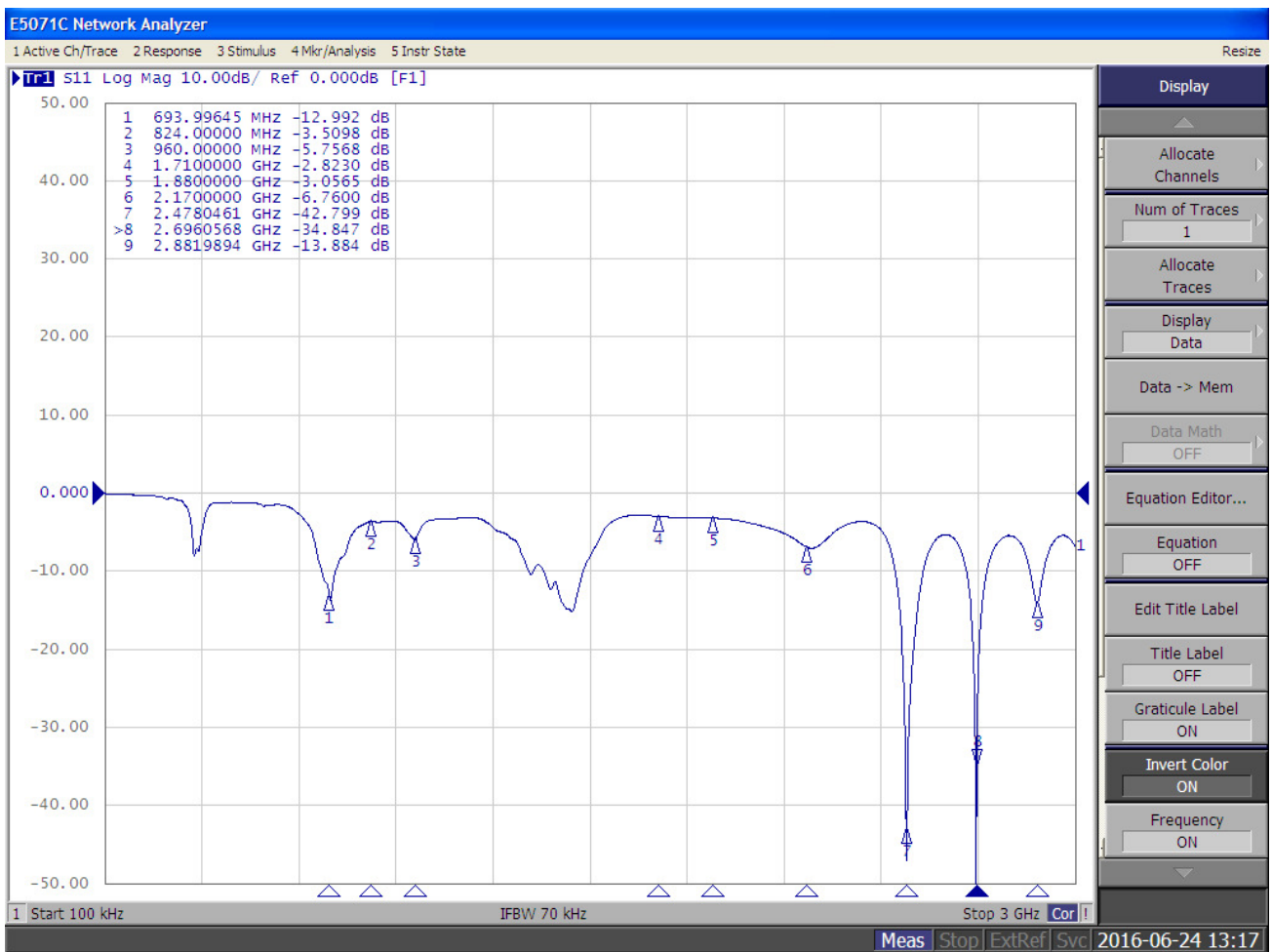
PROFESSOR TECHNOLOGY CO.,LTD.

2. Appearance

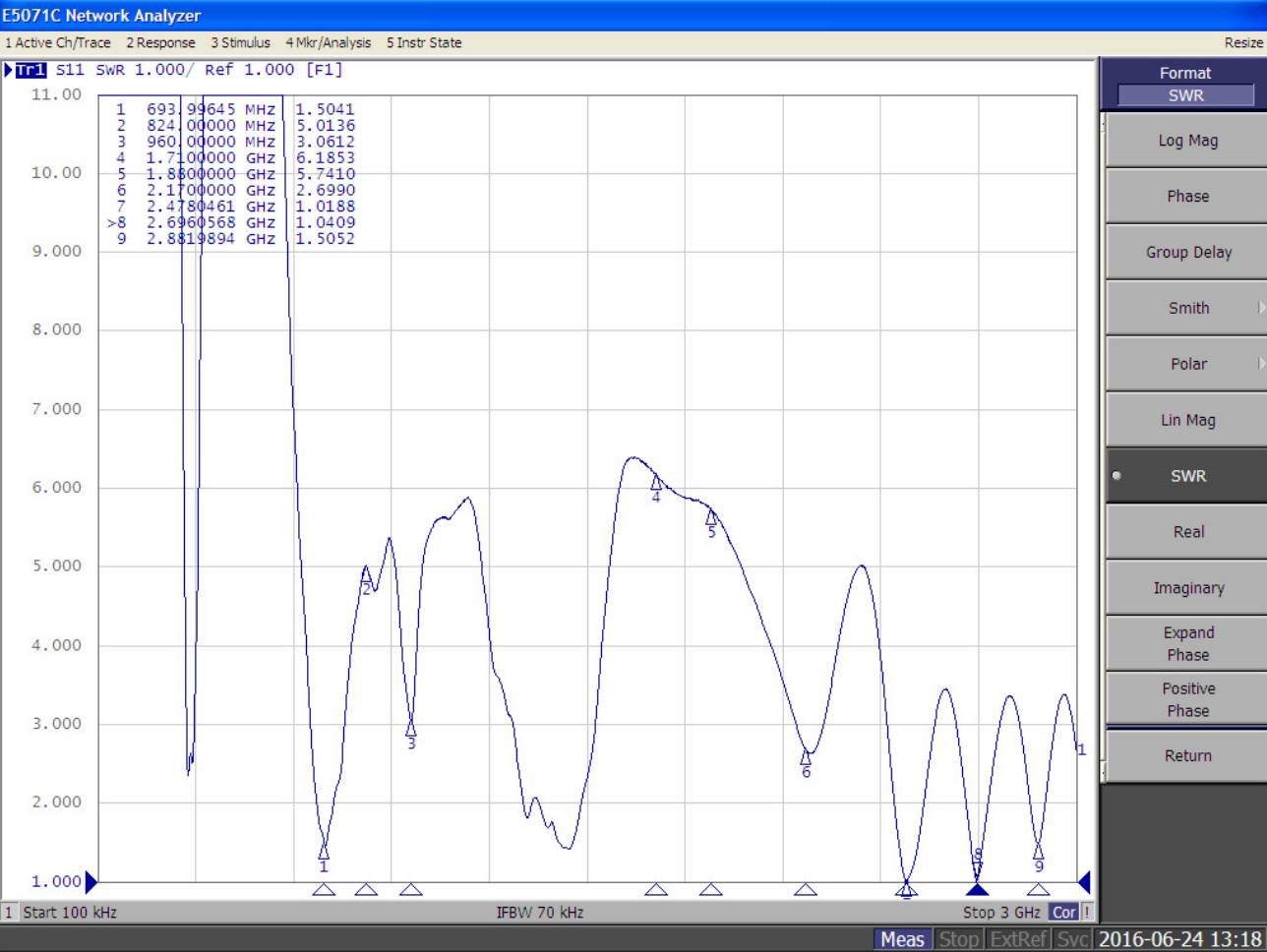


PROFESSOR TECHNOLOGY CO.,LTD.

3. FREQUENCY



PROFESSOR TECHNOLOGY CO.,LTD.



PROFESSOR TECHNOLOGY CO.,LTD.

